



www.jirous.com

Precise holder JDMW - 900 AR

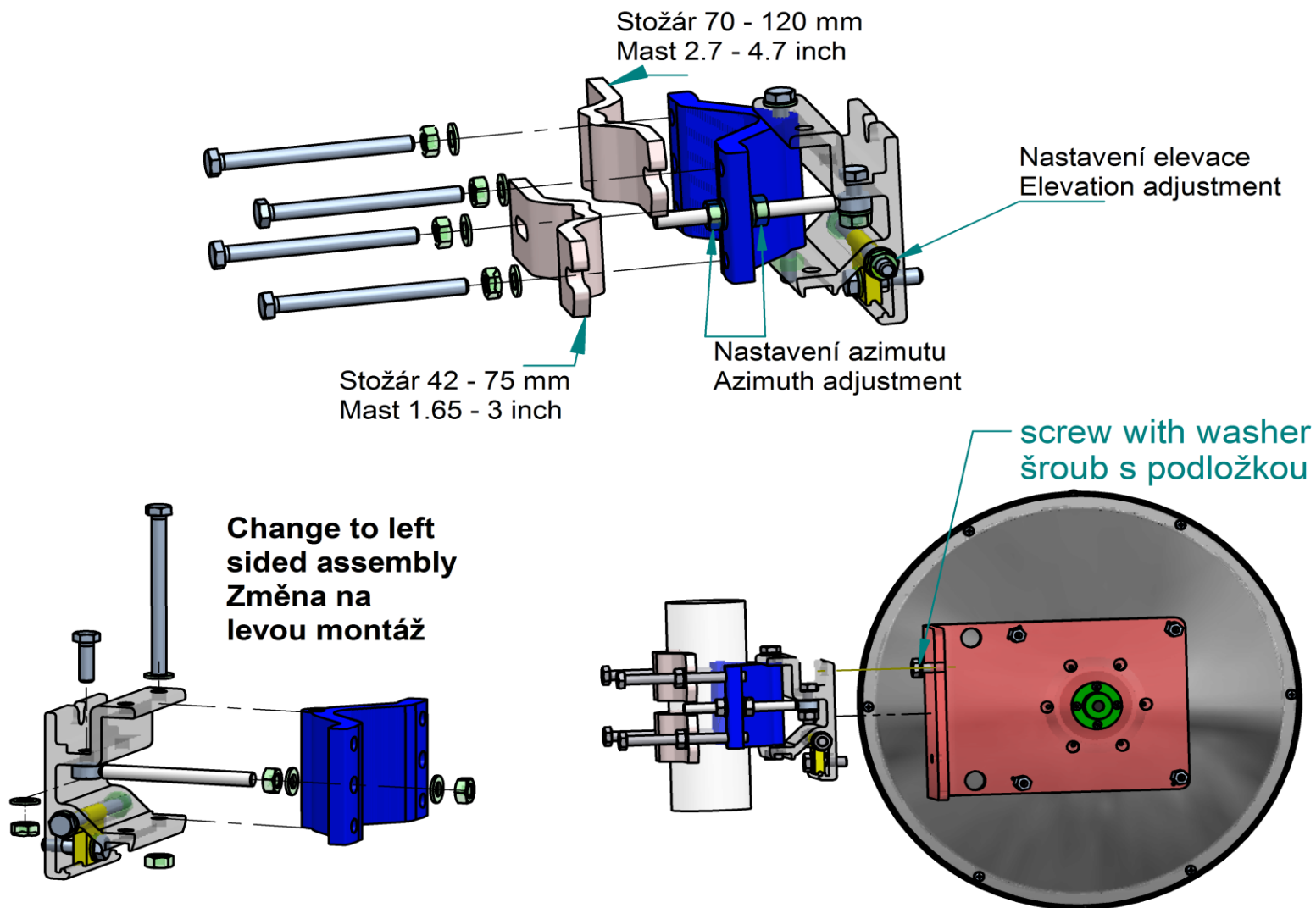
Antenna holder JDMW-900 AR is for robust antennas with demand for comfortable manipulation, high stability, precise elevation and azimuth adjustments. It is possible to change holder for left sided assembly, too.

Holder weight:	3.3 kg
Weight of package with holder:	3.5 kg
Package dimensions:	0.325 x 0.18 x 0.165 m



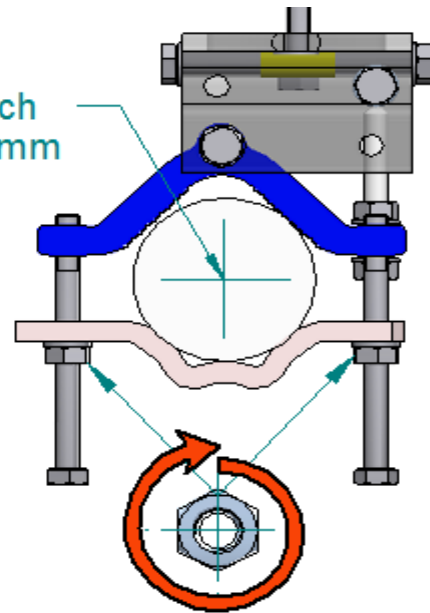
www.jirous.com

Precise holder JDMW - 900 AR



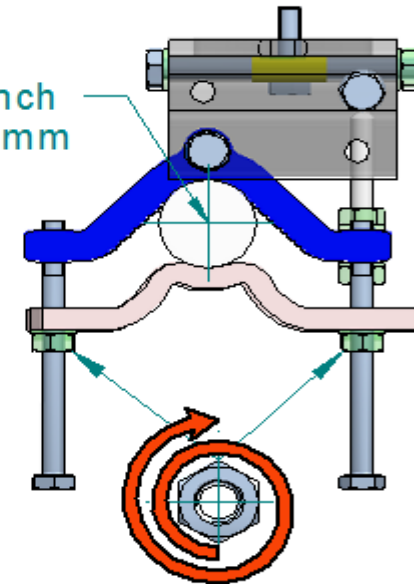
Precise holder JDMW - 900 AR

Mast 2.7 - 4.7 inch
Stožár 70 - 120 mm



Tighten with tool
Utáhnout nástrojem
1x 360°

Mast 1.65 - 3 inch
Stožár 42 - 75 mm



Tighten with tool
Utáhnout nástrojem
1x 360° + 180°



Tighten nuts by hand to fix holder on the mast.
Then tighten them by tool with adequate number of swirls according to schema.

K upevnění držáku na stožár utáhněte matice ručně, poté pomocí nástroje dotáhněte každou matici o příslušný počet otáček dle uvedeného schématu.



www.jirous.com

Precise holder JDMW - 900 AR

