

QuOmni LTE MIMO 2x2

Omnidirectional multiband LTE MIMO 2x2 antenna

QuOmni LTE omnidirectional MIMO 2x2 LTE antenna is working in Vertical polarization, it's desired for LTE/3G/2G connections. The antenna can be used for the most popular LTE bands (e.g. 3,7,20), frequencies 694-2700 MHz. That antenna is predicted to be installed on the buildings (on the pole or on the wall) as the client antenna or on the moving points like trains, buses, lorries, yachts, boats to receive Internet by LTE/3G. It's compatible with Teltonika: RUT240, RUT900, RUT950, RUT955, RUTX09, RUTX11 and other MIMO 2x2 LTE/3G/2G modems and routers.



OUTDOOR

Use LTE router wherever you want

ANTENNA

Maximize your signal with QuWireless antennas

SOLUTION

Plug LTE router and you are good to go

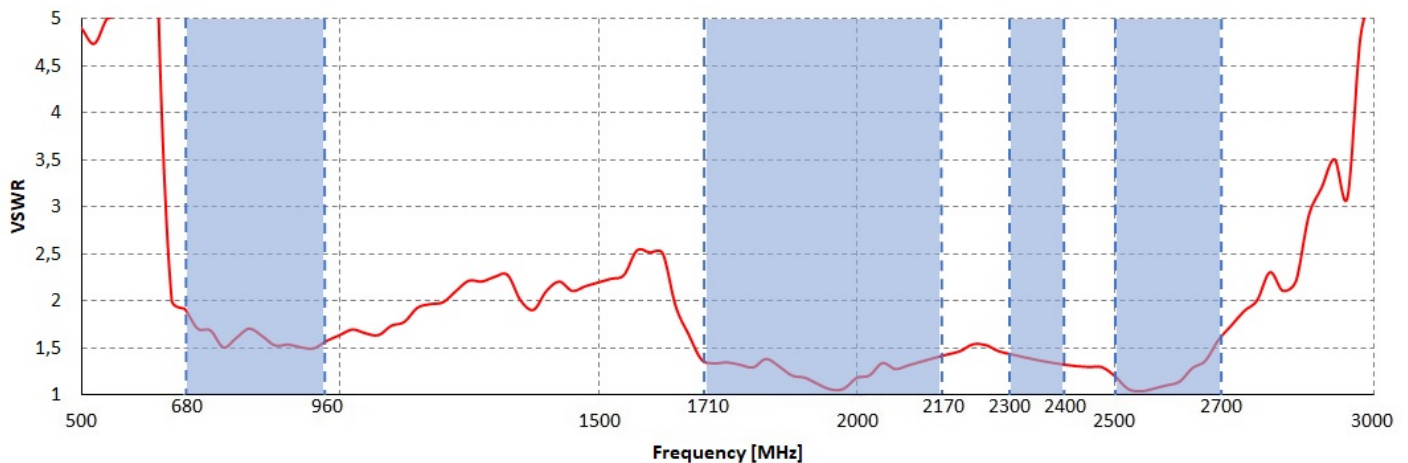
LTE SPECIFICATION

FREQUENCY	0.694-0.96 GHz 1.7 - 2.2 GHz 2.2 - 2.7 GHz
Supported LTE bands	1, 2, 3, 4, 5, 6, 7, 8, 9, 10, 12, 13, 14, 15, 16, 17, 18, 19, 20, 23, 25, 26, 27, 28, 29, 30, 33, 34, 35, 36, 37, 38, 39, 40, 41, 44, 53, 65, 66, 67, 68, 69, 70, 71, 85
GAIN	0.694 - 0.96 GHz : 2 dBi 1.7 - 2.2 GHz : 2 dBi 2.2 - 2.7 GHz : 4 dBi
VSWR	<1.60, max <2.00
BEAMWIDTH	360°/35° ±5°
POLARIZATION	Vertical
IMPEDANCE	50 Ω

MECHANICAL SPECIFICATION

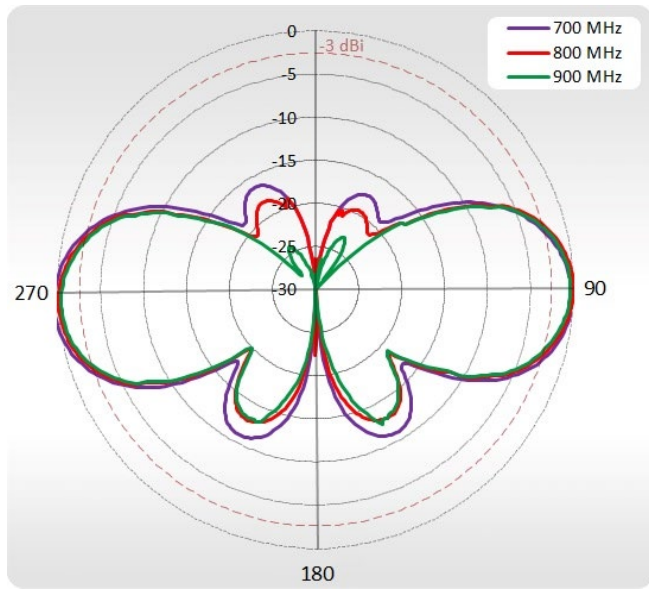
MATERIALS	ABS, aluminum, galvanized steel
INGRESS PROTECTION	IP67
DIMENSIONS	160 x 160 x 240 mm 6.3 x 6.3 x 9.45 inch
WEIGHT	1.5 kg 3.31 lbs
OPERATING TEMPERATURE	From -40°C to 75°C From -40°F to 167°F

VSWR

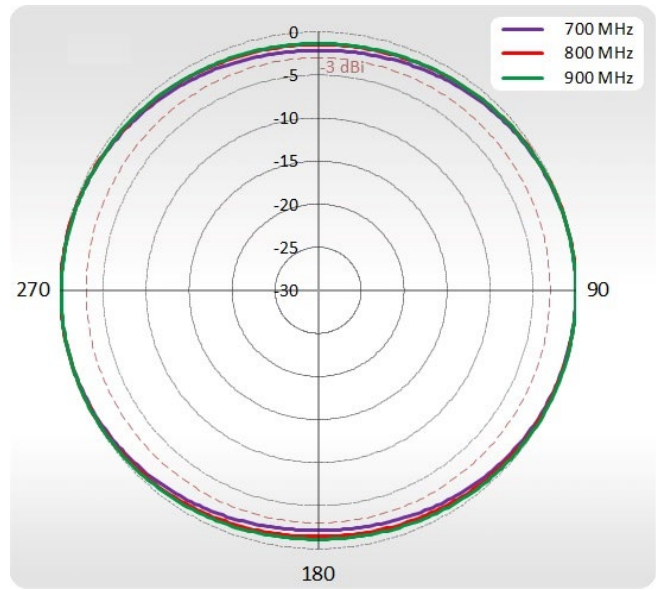


PLOTS

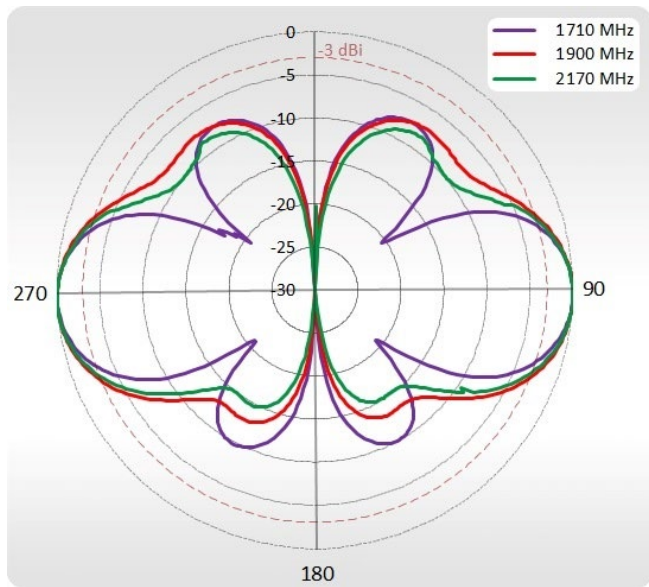
700-900 MHz Azimuth



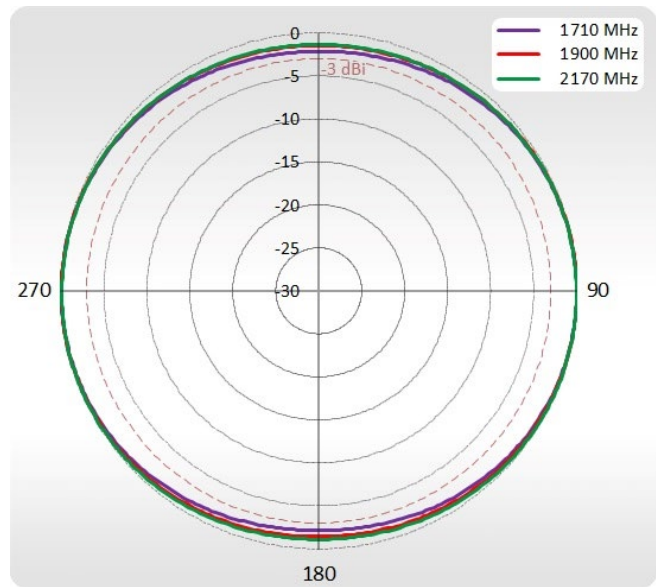
700-900 MHz Elevation



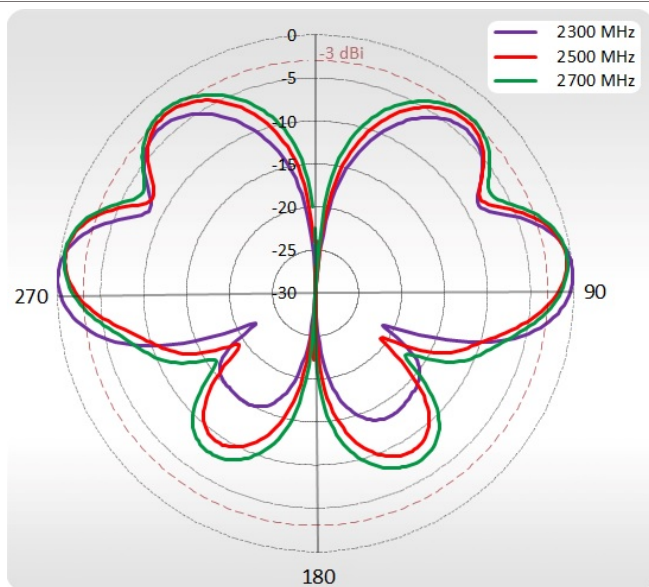
1710-2170 MHz Azimuth



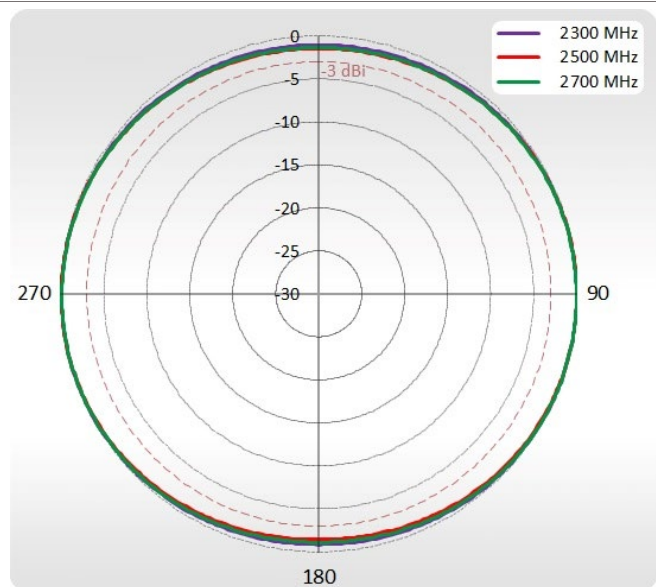
1710-2170 MHz Elevation



2300-2700 MHz Azimuth



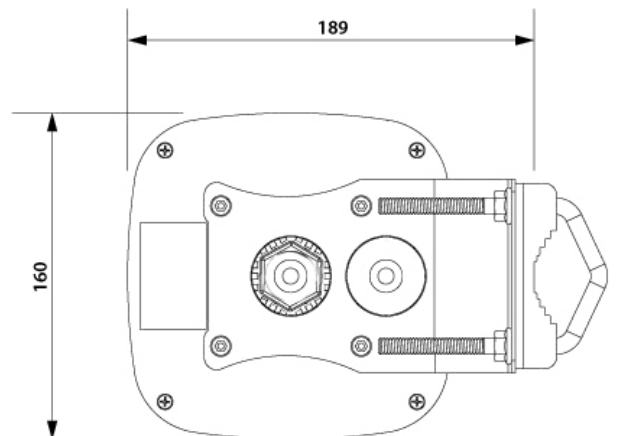
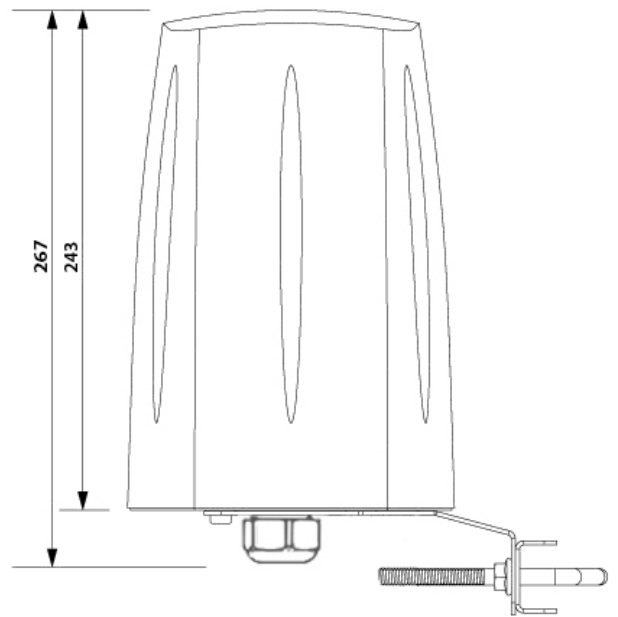
2300-2700 MHz Elevation



PHOTOS



DIMENSIONS



HEADQUARTER:

Wireless Instruments sp. z o.o.

ul. Kościuszki 27

52-116 Iwiny

POLAND

sales@quwireless.com

tel 1. +48 601 366 369

tel 2. +48 577 667 761

www.quwireless.com