

# QuPanel LTE HP MIMO 2x2

## Directional High Power multiband LTE MIMO 2x2 antenna

QuPanel LTE HP directional MIMO 2x2 high gain antenna is predicted for 4G LTE mainly, but is compatible with 3G and 2G as well. The antenna improves the signal in rural/suburban and locations where the mobile signal is weak. That antenna is predicted to be installed on the buildings (on the pole or on the wall). Due to very wide working frequency range, the antenna is universal client for LTE bands like LTE700/800/1800/1900/2100/2300/2600. It's compatible with Teltonika: RUT240, RUT900, RUT950, RUT955, RUTX09, RUTX11 and other MIMO 2x2 LTE/3G/2G modems and routers.



### OUTDOOR

Use LTE router wherever you want

### ANTENNA

Maximize your signal with QuWireless antennas

### SOLUTION

Plug LTE router and you are good to go

## LTE SPECIFICATION

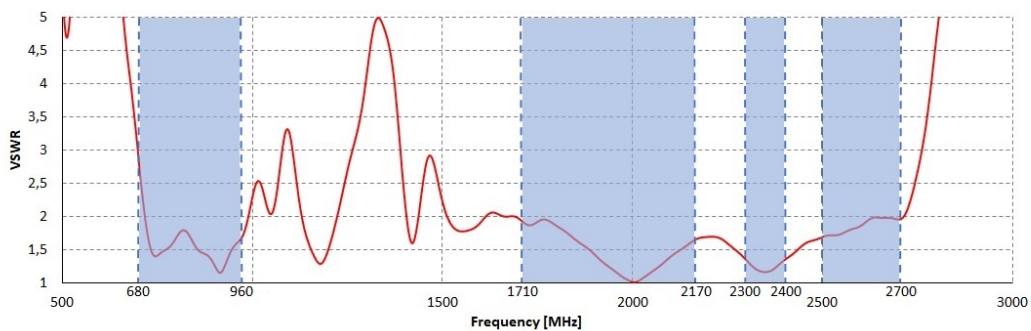
FREQUENCY	0.694-0.96 GHz 1.7 - 2.2 GHz 2.2 - 2.7 GHz
Supported LTE bands	1, 2, 3, 4, 5, 6, 7, 8, 9, 10, 12, 13, 14, 15, 16, 17, 18, 19, 20, 23, 25, 26, 27, 28, 29, 30, 33, 34, 35, 36, 37, 38, 39, 40, 41, 44, 53, 65, 66, 67, 68, 69, 70, 71, 85
GAIN	0.694 - 0.96 GHz : 7 dBi 1.7 - 2.2 GHz : 7 dBi 2.2 - 2.7 GHz : 7 dBi
VSWR	<1.70, max <2.00
BEAMWIDTH	70°/70° ±15°
POLARIZATION	X-Pol
IMPEDANCE	50 Ω

## MECHANICAL SPECIFICATION

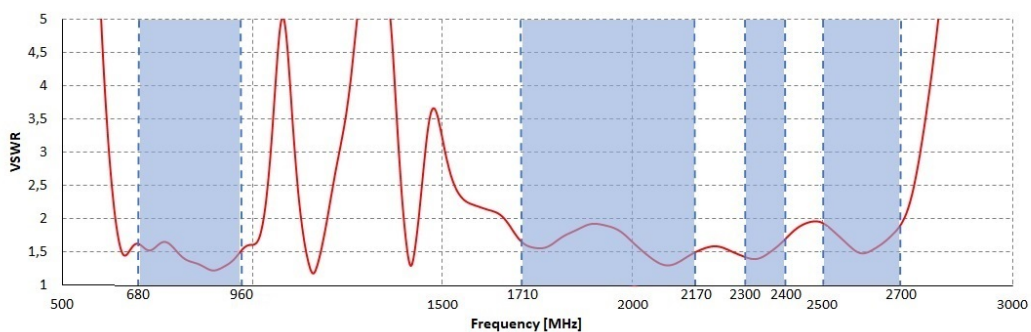
MATERIALS	ABS, aluminum, Fiberglass, galvanized steel
INGRESS PROTECTION	IP67
DIMENSIONS	272 x 276 x 96 mm 10.71 x 10.87 x 3.78 inch
WEIGHT	1.8 kg 3.97 lbs
OPERATING TEMPERATURE	From -40°C to 75°C From -40°F to 167°F

## VSWR

Port 1

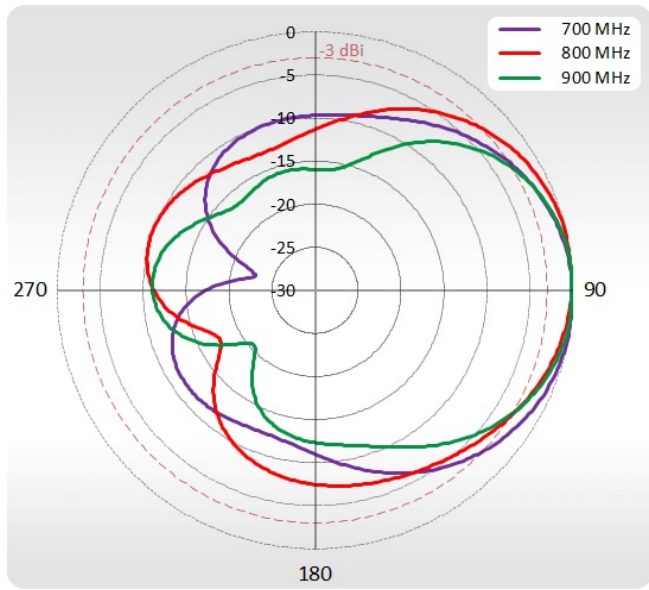


Port 2

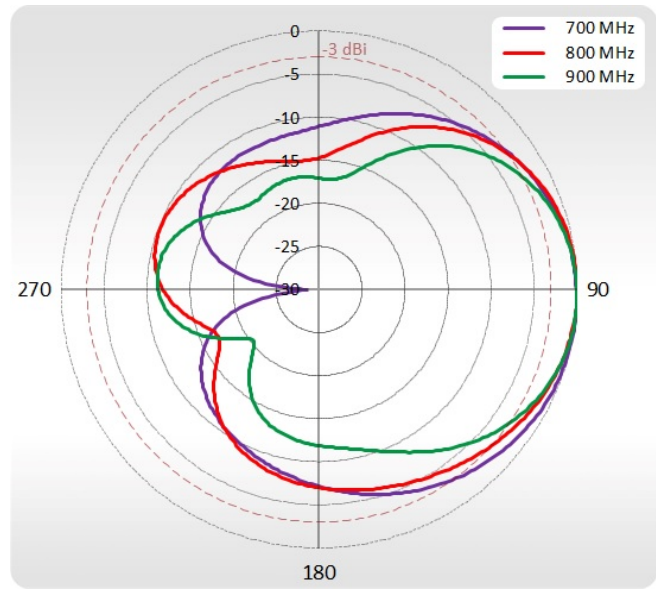


# PLOTS

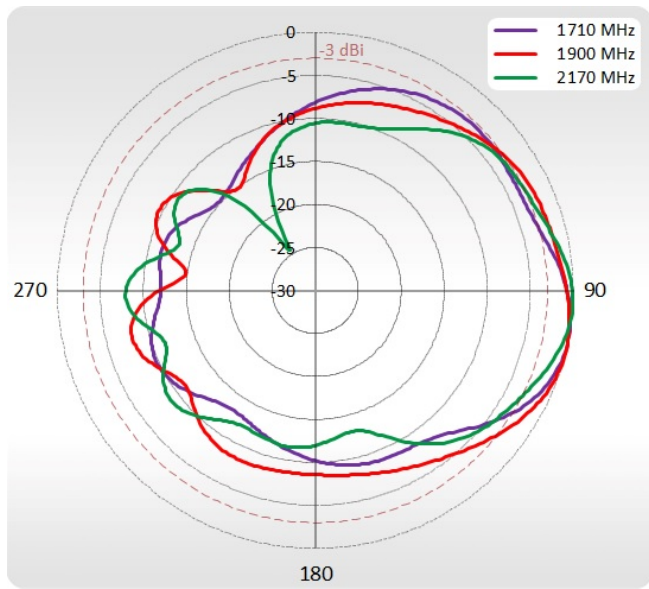
Port 1, 700-900 MHz Azimuth



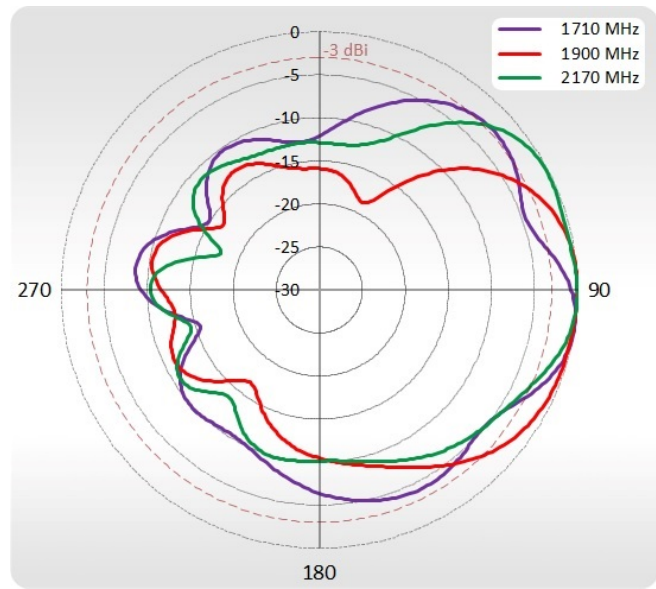
Port 1, 700-900 MHz Elevation



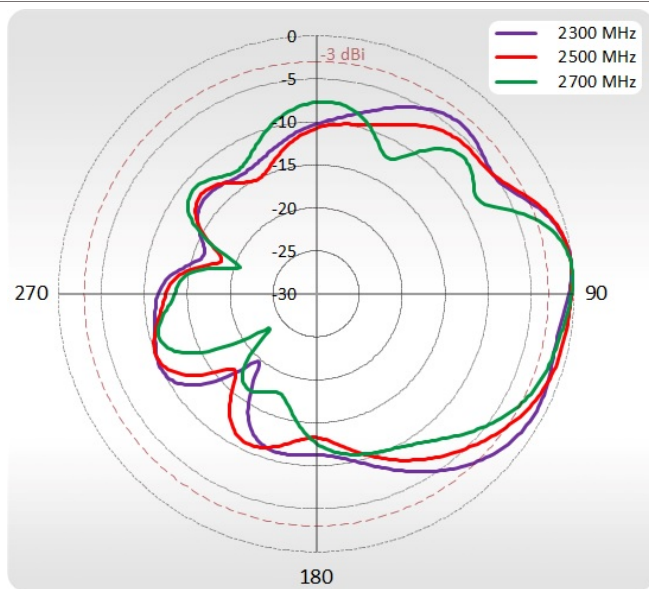
Port 1, 1710-2170 MHz Azimuth



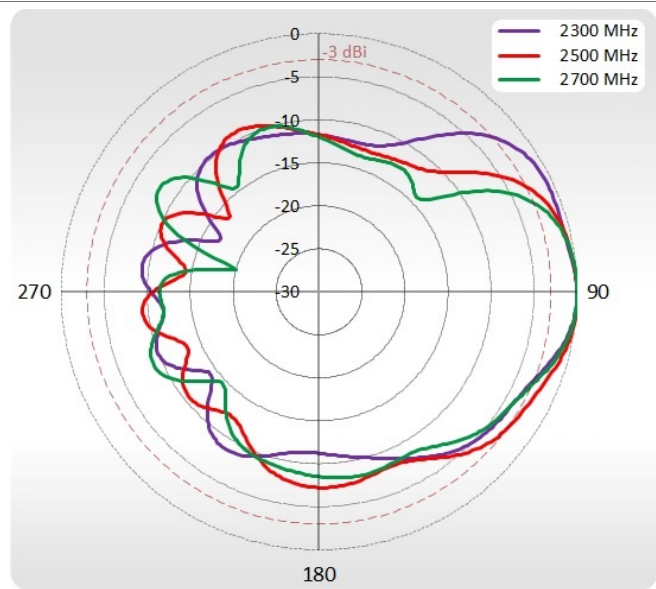
Port 1, 1710-2170 MHz Elevation



Port 1, 2300-2700 MHz Azimuth

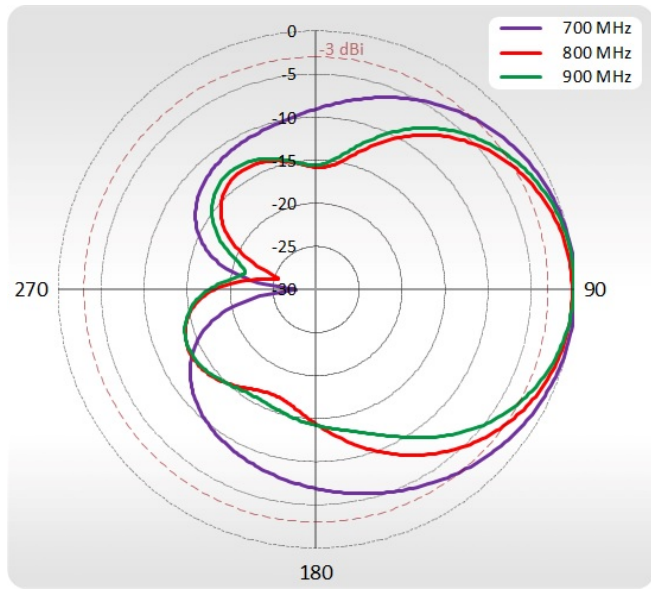


Port 1, 2300-2700 MHz Elevation

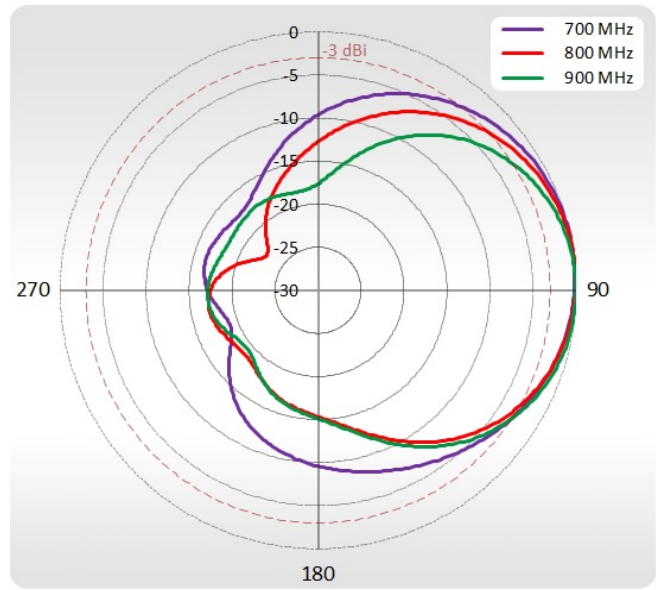


# PLOTS

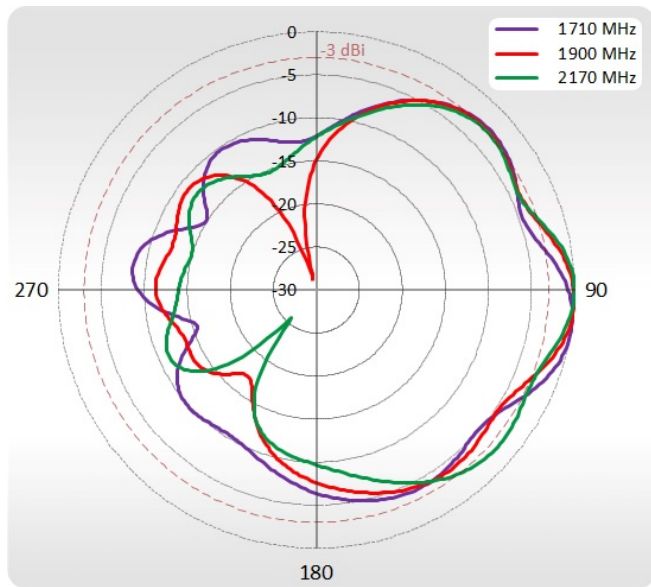
Port 2, 700-900 MHz Azimuth



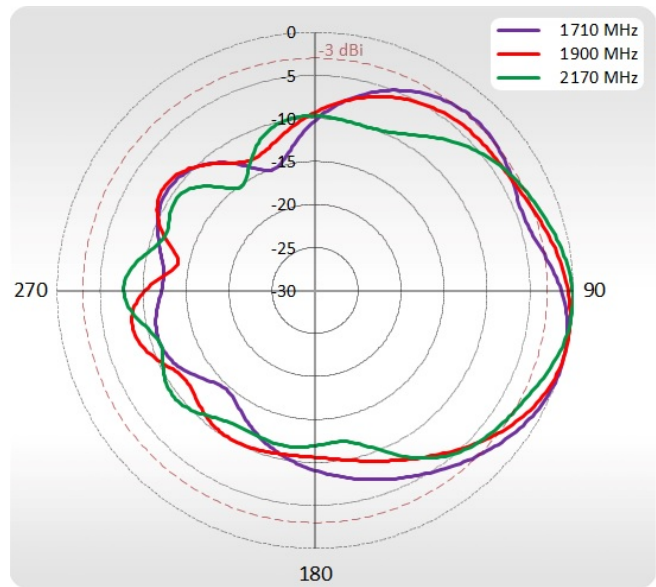
Port 2, 700-900 MHz Elevation



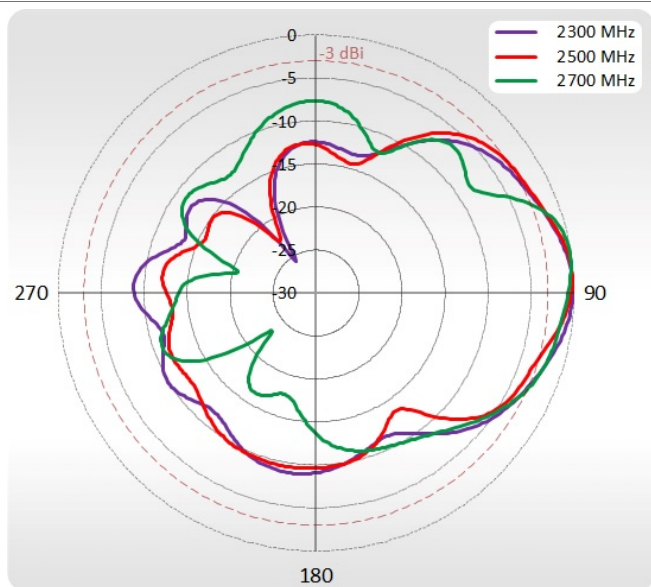
Port 2, 1710-2170 MHz Azimuth



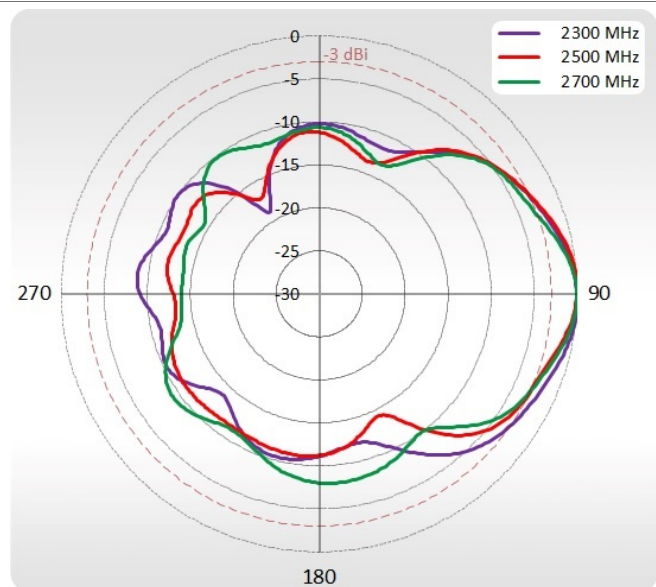
Port 2, 1710-2170 MHz Elevation



Port 2, 2300-2700 MHz Azimuth



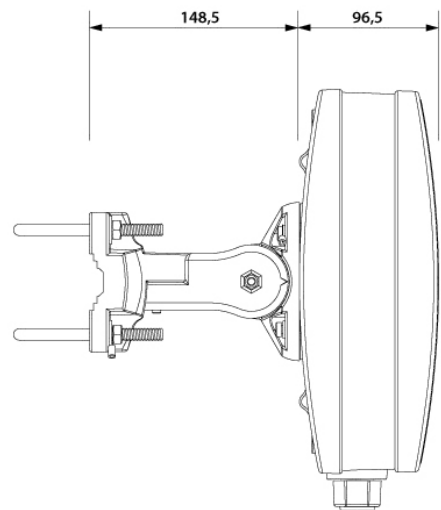
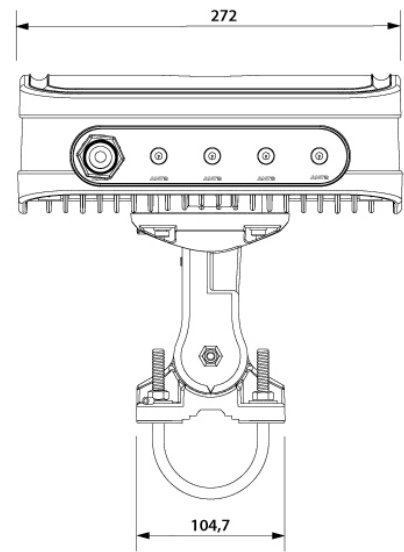
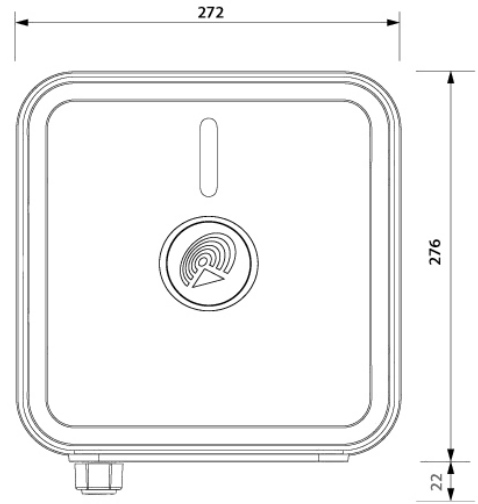
Port 2, 2300-2700 MHz Elevation



## PHOTOS



## DIMENSIONS



### HEADQUARTER:

Wireless Instruments sp. z o.o.

ul. Kościuszki 27

52-116 Iwiny

POLAND

[sales@quwireless.com](mailto:sales@quwireless.com)

tel 1. +48 601 366 369

tel 2. +48 577 667 761

[www.quwireless.com](http://www.quwireless.com)