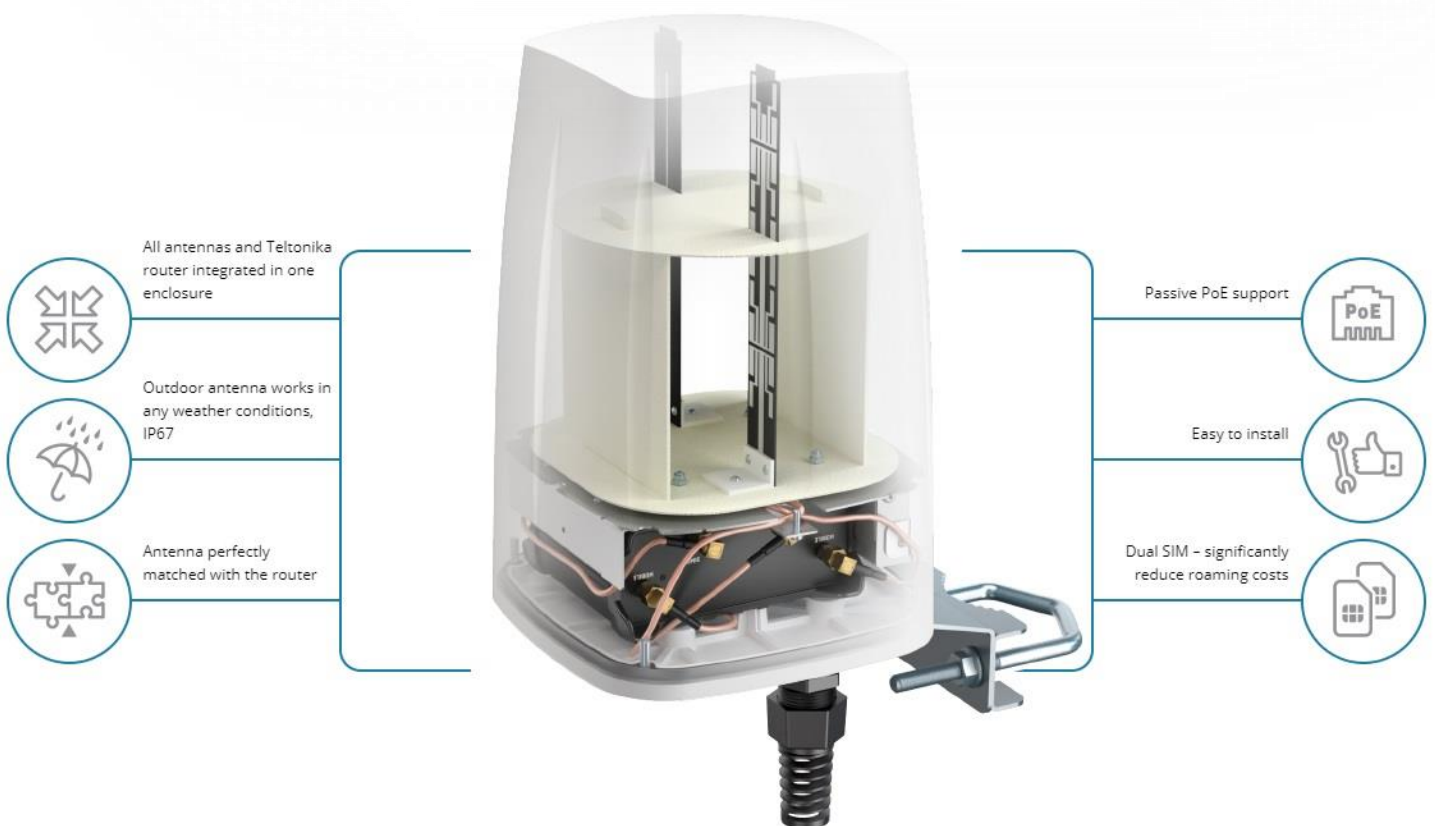


# QuSpot for RUT900/950

**INTEGRATED MULTI-BAND LTE OMNI ANTENNAS + WIFI OMNI ANTENNAS + PLACE TO INSTALL TELTONIKA RUT950 OR 900 (ALL-IN-ONE)**

QuSpot omni LTE antenna for Teltonika RUT950 or 900 router is a perfect outdoor device for mobile and fixed installations like industrial, CCTV, hotspots, yachts, boats, campers, RV etc. It has embedded also omni Wi-Fi antennas. If you use RUT950 or 900 with QuSpot antenna, you get an integrated complete solution with embedded router and multi band antennas in one enclosure.



## OUTDOOR

Use Teltonika router wherever you want

## ANTENNA

Maximize your signal with QuWireless antennas

## SOLUTION

Plug Teltonika router and you are good to go

**LTE SPECIFICATION**

FREQUENCY	0.694-0.96 GHz 1.7 - 2.2 GHz 2.2 - 2.7 GHz
GAIN	2 dBi 2 dBi 4 dBi
VSWR	<1.70, max <2.00 <1.60, max <2.00 <1.60, max <2.00
BEAMWIDTH	360°/35° +/- 5° 360°/35° +/- 5° 360°/35° +/- 5°
POLARIZATION	Vertical
IMPEDANCE	50 Ω

**WI-FI SPECIFICATION**

FREQUENCY	2.40-2.50 GHz 4.70 - 6.00 GHz
GAIN	6 dBi 7 dBi
VSWR	<1.70, max <2.00 <1.70, max <2.00
BEAMWIDTH	360°/25° +/- 5° 360°/25° +/- 5°
POLARIZATION	Vertical
IMPEDANCE	50 Ω

**MECHANICAL SPECIFICATION**

MATERIALS	ABS, aluminum, PTFE
INGRESS PROTECTION	IP67
DIMENSIONS	160 x 160 x 240 mm 6.3 x 6.3 x 9.45 inch
WEIGHT	1.5 kg 3.31 lbs
OPERATING TEMPERATURE	From -40°C to 75°C From -40°F to 167°F

## DEVICE SPECIFICATION

## DIMENSIONS

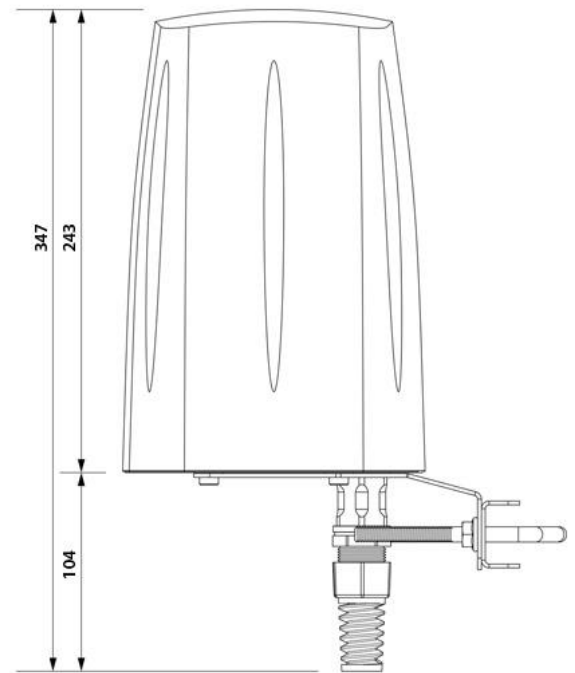


Dual SIM 3G industrial cellular router with WiFi and multiple Ethernet interfaces. Highly secure and reliable OpenWrt based router for most demanding low bandwidth applications where advanced networking functionality is needed.

[RUT900 Datasheet](#)

[RUT900 User Manual](#)

[RUT900 Quick Start Guide](#)

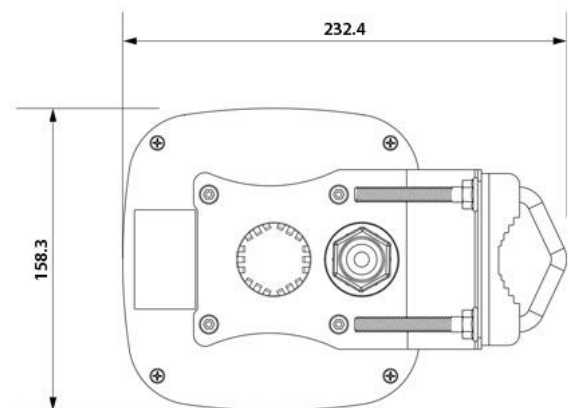


Rugged and durable professional 4G LTE Dual SIM cellular router with advanced WiFi, Ethernet and industrial grade networking functionality support. Quick to deploy, easy to manage and flexible for applications across most demanding market sectors.

[RUT950 Datasheet](#)

[RUT950 User Manual](#)

[RUT950 Quick Start Guide](#)



### HEADQUARTER:

Wireless Instruments sp. z o.o.

ul. Kościuszki 27

52-116 Iwiny

POLAND

[sales@quwireless.com](mailto:sales@quwireless.com)

tel 1. +48 601 366 369

tel 2. +48 577 667 761

[www.quwireless.com](http://www.quwireless.com)