

QuSpot for RUTX10

**INTEGRATED OUTDOOR WI-FI DUAL BAND 2.4 & 5 GHZ OMNI ANTENNA +
BLUETOOTH OMNI ANTENNA + PLACE TO INSTALL TELTONIKA RUTX10 (ALL-IN-ONE)**

QuSpot Wi-Fi antenna for Teltonika RUTx10 router is a perfect outdoor device for mobile and fixed installations like industrial, CCTV, hotspots, yachts, boats, campers, RV etc. It has embedded also Wi-Fi dual band 2.4 & 5GHz omni antenna and Bluetooth omni antenna. If you use RUTx10 with QuSpot antenna, you get an integrated complete solution with embedded router and multi band antennas in one enclosure.



OUTDOOR

Use Teltonika router wherever you want

ANTENNA

Maximize your signal with QuWireless antennas

SOLUTION

Plug Teltonika router and you are good to go

WI-FI SPECIFICATION

FREQUENCY	2.40-2.50 GHz 4.70 - 6.00 GHz
GAIN	6 dBi 7 dBi
VSWR	<1.70, max <2.00 <1.70, max <2.00
BEAMWIDTH	360°/25° +/- 5° 360°/25° +/- 5°
POLARIZATION	Vertical
IMPEDANCE	50 Ω

MECHANICAL SPECIFICATION

MATERIALS	ABS, aluminum, PTFE
INGRESS PROTECTION	IP67
DIMENSIONS	160 x 160 x 240 mm 6.3 x 6.3 x 9.45 inch
WEIGHT	1.5 kg 3.31 lbs
OPERATING TEMPERATURE	From -40°C to 75°C From -40°F to 167°F

DEVICE SPECIFICATION



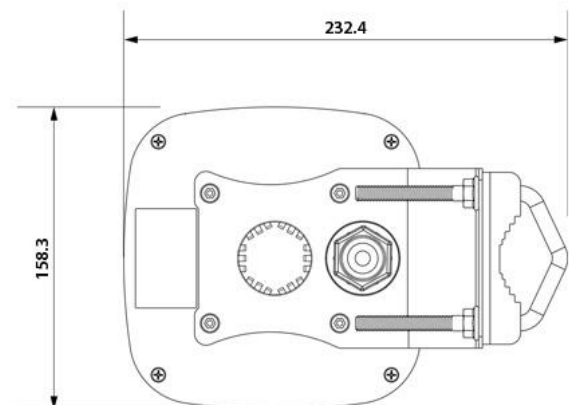
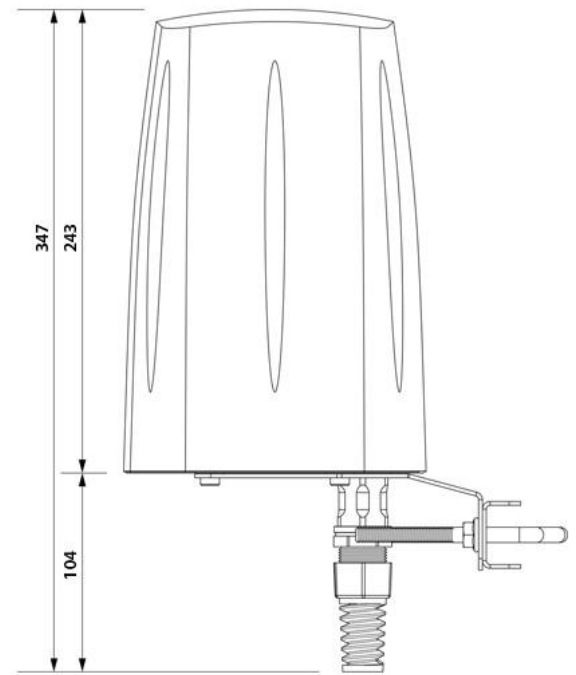
Next-Generation Teltonika Enterprise router, equipped with the Dual Band WiFi 5 802.11ac and a Bluetooth LE module. Perfect for Small office or Public sector applications. High speed WiFi connectivity allows companies to transition into all-wireless office settings.

[RUTX10 Datasheet](#)

[RUTX10 User Manual](#)

[RUTX10 Quick Start Guide](#)

DIMENSIONS



HEADQUARTER:

Wireless Instruments sp. z o.o.

ul. Kościuszki 27

52-116 Iwiny

POLAND

sales@quwireless.com

tel 1. +48 601 366 369

tel 2. +48 577 667 761

www.quwireless.com