

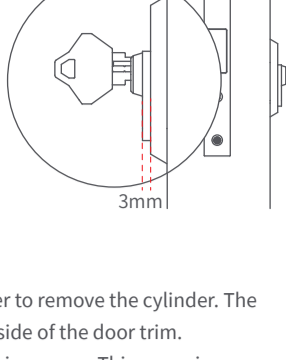
Aqara

Product Introduction

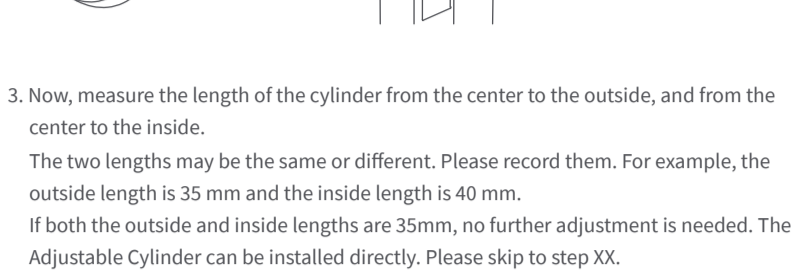
The Aqara Adjustable Cylinder is tailored for the Smart Lock U200. You can adjust the cylinder length to match the door thickness, making it suitable for installation on different doors. Pairing the Smart Lock U200 with the Aqara Adjustable Cylinder will give you a better user experience.

Installation steps

1. Please measure the distance that the cylinder protrudes from the trim cover on the inside of the door. If it measures less than 3 mm, take special care during step 4 of the installation.

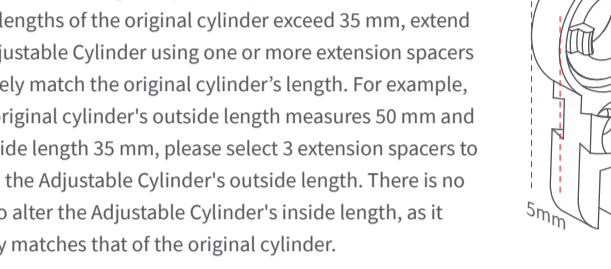


2. Removing the door trim cover first might make it easier to remove the cylinder. The screws for the trim cover are usually located on the inside of the door trim. Next, remove the cylinder by loosening the cylinder fixing screw. This screw is typically found on the side of the door lock, below the multi-point screws. You might need to insert the key and turn or jiggle it to extract the core from the door.

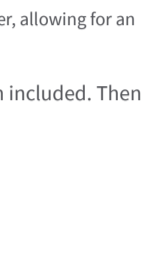


3. Now, measure the length of the cylinder from the center to the outside, and from the center to the inside.

The two lengths may be the same or different. Please record them. For example, the outside length is 35 mm and the inside length is 40 mm. If both the outside and inside lengths are 35 mm, no further adjustment is needed. The Adjustable Cylinder can be installed directly. Please skip to step XX.



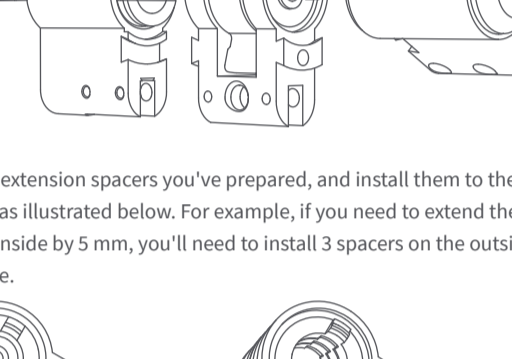
4. The packaging box includes 8 extension spacers, each capable of extending the cylinder by 5 mm. If the outside and inside lengths of the original cylinder exceed 35 mm, extend the Adjustable Cylinder using one or more extension spacers to closely match the original cylinder's length. For example, if the original cylinder's outside length measures 50 mm and the inside length 35 mm, please select 3 extension spacers to extend the Adjustable Cylinder's outside length. There is no need to alter the Adjustable Cylinder's inside length, as it already matches that of the original cylinder.



* If the cylinder protrudes less than 3 mm from the trim cover's side in step 1, you will need to extend the cylinder's inside length to 40 mm with 1 extension spacer. The extension will simplify the process of attaching the Smart Lock U200 to the Adjustable Cylinder.

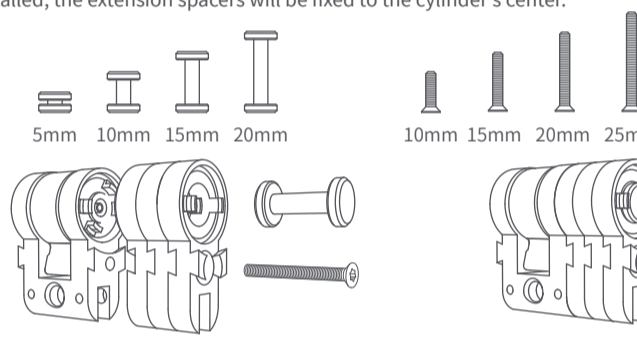
* A maximum of 4 extension spacers can be attached to each side of the cylinder, allowing for an extension of 20 mm.

5. Next, loosen the 6 screws on the insert core's side with the wrench included. Then remove the bottom stiffener bar.

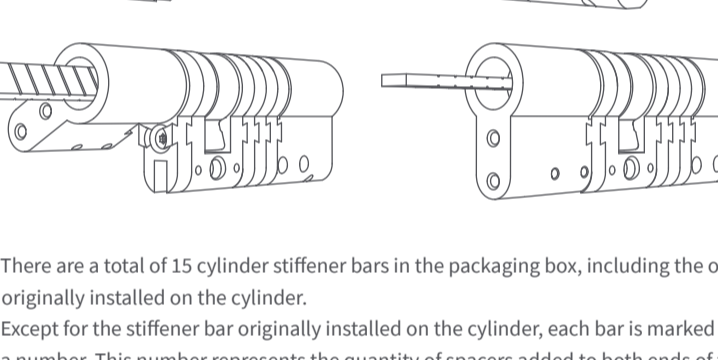


* Stiffener bar

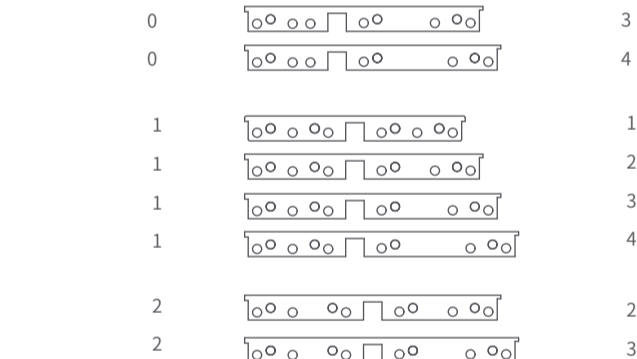
6. Press the middle of the cylinder with your finger, then rotate the outside of the cylinder approximately 60° and remove it. Remove the inside of the cylinder in the same way. Please ensure the removed parts are stored safely, as they will be reattached to the cylinder after its extension.



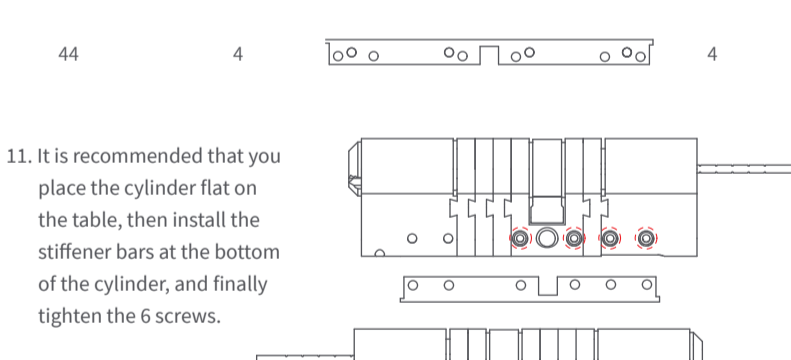
7. Take the extension spacers you've prepared, and install them to the middle of the cylinder as illustrated below. For example, if you need to extend the outside by 15 mm and the inside by 5 mm, you'll need to install 3 spacers on the outside and 1 spacer on the inside.



8. After adding the necessary extension spacers to the outside and inside, install the screws and push rods of the appropriate length. If you add 3 extension spacers to the outside, increasing the length by 15 mm, please use 20 mm screws and 15 mm push rods. If you add 1 extension spacer to the inside, increasing the length by 5 mm, please use 10 mm screws and 5 mm push rods for the installation. Once the screws are installed, the extension spacers will be fixed to the cylinder's center.



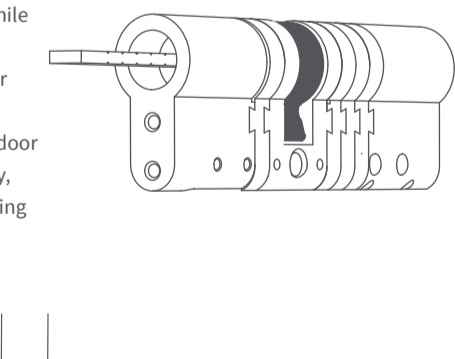
9. Reinstall the cylinder's outside and inside parts that were removed in step 6 to both ends of the cylinder.



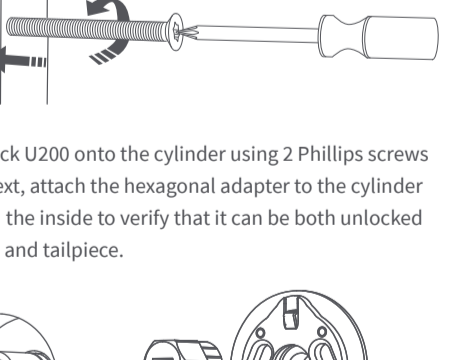
10. There are a total of 15 cylinder stiffener bars in the packaging box, including the one originally installed on the cylinder. Except for the stiffener bar originally installed on the cylinder, each bar is marked with a number. This number represents the quantity of spacers added to both ends of the cylinder. For example, if 3 spacers are added to one end of the cylinder and 1 spacer is added to the other end, select the stiffener bar numbered 13 for installation (there is no need to distinguish between the front and back sides for the stiffener bar). Select the appropriate stiffener bar for installation based on the number of spacers added to both sides.

stiffener bar number	quantity of spacers added		quantity of spacers added
-	0		0
01	0		1
02	0		2
03	0		3
04	0		4
11	1		1
12	1		2
13	1		3
14	1		4
22	2		2
23	2		3
24	2		4
33	3		3
34	3		4
44	4		4

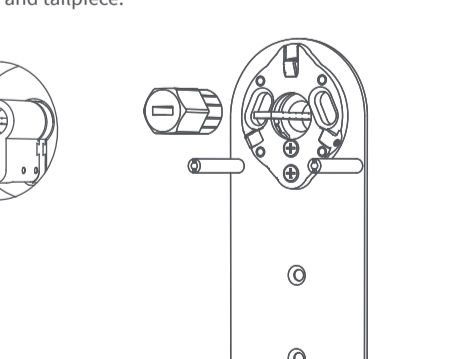
11. It is recommended that you place the cylinder flat on the table, then install the stiffener bars at the bottom of the cylinder, and finally tighten the 6 screws.



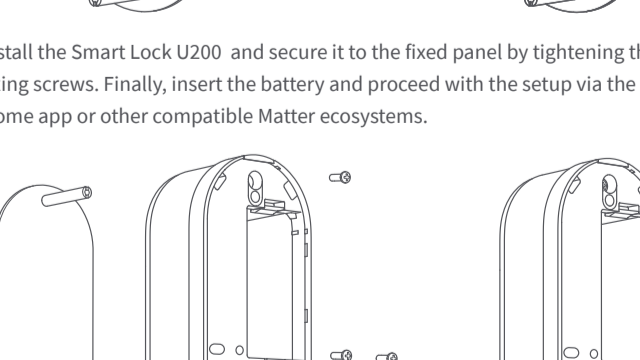
12. After assembly, insert the key into the core's outside and ensure the core can rotate freely. Then check that the tailpiece can rotate freely and drive the key on the outside.



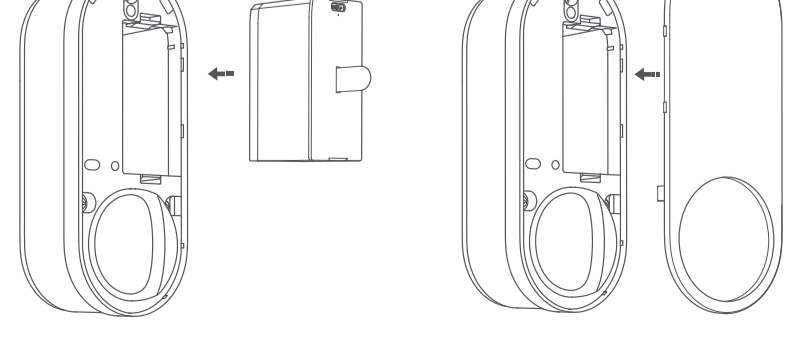
13. Turn the key to align the cylinder cam with the cylinder body, and then insert the cylinder into the original hole on the door. During installation, ensure that the side of the cylinder with the keyhole faces outside, while the side with the tailpiece faces inside. You might need to rotate or jiggle the key while inserting it to properly align the cylinder in the door hole and correctly install it. Finally, secure the cylinder to the door using the fixing screws provided in the packaging box.



14. Install the fixed panel of Smart Lock U200 onto the cylinder using 2 Phillips screws included in the packaging box. Next, attach the hexagonal adapter to the cylinder tailpiece, and open the door from the inside to verify that it can be both unlocked and locked using the cylinder key and tailpiece.



15. Install the Smart Lock U200 and secure it to the fixed panel by tightening the three fixing screws. Finally, insert the battery and proceed with the setup via the Aqara Home app or other compatible Matter ecosystems.



For more product details, please visit www.aqara.com/en

Online Customer Service: www.aqara.com/en/support.html

Manufacturer: Lumi United Technology Co., Ltd.

Address: Room 801-804, Building 1, Chongwen Park, Nanshan iPark, No. 3370, Liuxian Avenue, Fuguang Community, Taoyuan Residential District, Nanshan District, Shenzhen, China

Email: support@aqara.com