

Quick Installation Guide

Indoor/Outdoor Access Point

Setup with videos
Visit <https://www.tp-link.com/support/setup-video/> or scan the QR code to search for the setup video of your product model.



Note: Images may differ from your actual product.

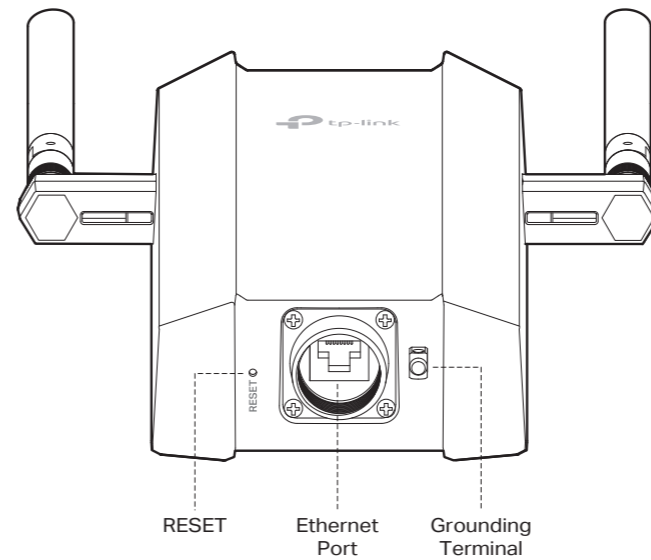
© 2023 TP-Link 7106510787 REV1.0.1

1 Overview

Package Contents



Panel Layout



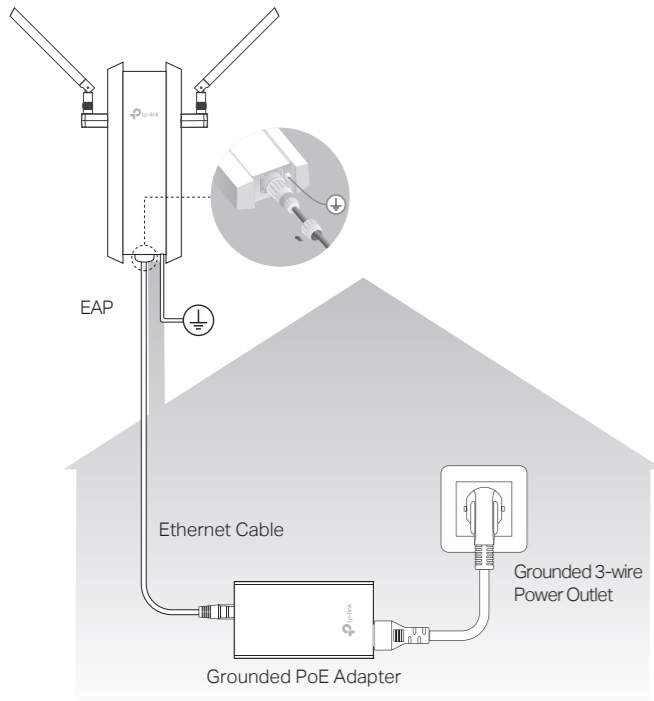
SYS LED Explanation

LED Status	Indication
Flashes green twice	Initialization is completed.
Solid green	The device is initializing or working properly.
Flashing yellow	System errors. RAM, Flash, Ethernet, WLAN or firmware may be malfunctioning.
Slowly Flashing yellow, green	Firmware update is in progress. Do not disconnect or power off the device.
Quickly flashing green	Locate the device.
Quickly flashing yellow, green	The device is being reset to its factory default settings.
Slowly flashing green	The device is in an isolated state.

2 Lightning and ESD Protection

Before mounting the EAP, you should consider Lightning and ESD Protection to ensure safety.

Proper grounding is extremely important for outdoor devices. To reduce the damage of potential lightning and ESD attacks, connect the grounding terminal to grounding facilities using a proper grounding wire, which should meet the local installation requirements. You need to secure the grounding wire to the grounding terminal with the screw.



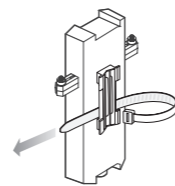
3 Hardware Installation

Mount the EAP

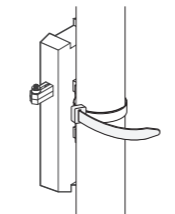
The EAP can be pole-mounted or wall-mounted. Follow the steps below for the appropriate installation.

Option 1: Pole Mounting

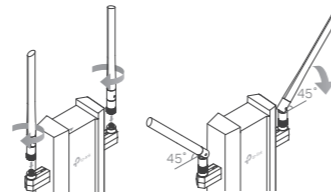
Step 1:
Lead the end of the pole mounting strap through the back of the EAP.



Step 2:
Position the EAP and wrap the pole mounting strap around the pole. Feed the end through the screw-block and tighten the strap until the EAP is secure.

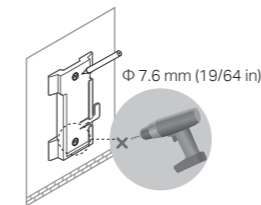


Step 3:
Connect the antennas to the EAP. For optimal Wi-Fi performance, adjust the direction of the antennas. It is recommended to position the antennas at 45-degree angles.

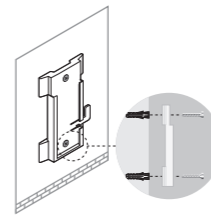


Option 2: Wall Mounting

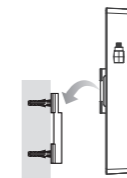
Step 1:
Place the mounting bracket for EAP in the right position. Mark two positions for the screw holes. Drill holes for the screws at the marked positions.



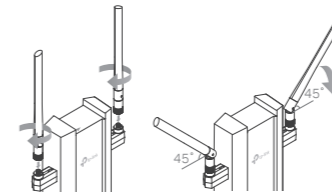
Step 2:
Insert the plastic wall anchors into the holes. Align the mounting bracket to the plastic wall anchors and drive the self-tapping screws into the anchors through the mounting bracket.



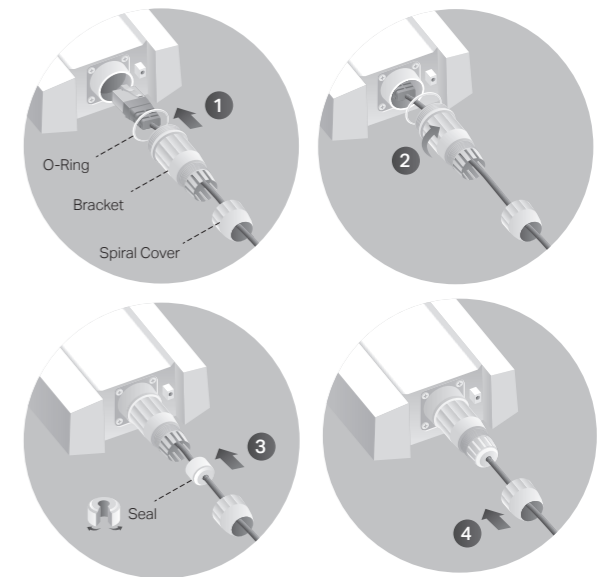
Step 3:
Align the mounting tabs on the back of the EAP with the slot of the mounting bracket. Push and slide the EAP downward until it locks into place.



Step 4:
Connect the antennas to the EAP. For optimal Wi-Fi performance, adjust the direction of the antennas. It is recommended to position the antennas at 45-degree angles.



Connect the Cable



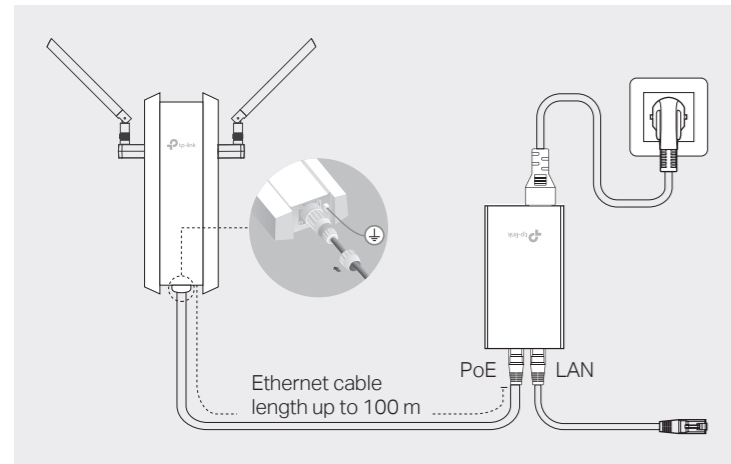
- Fit an Ethernet cable through the Spiral Cover, Bracket, and O-Ring, and connect the cable to the port.
- Fit the O-Ring to the head of the Bracket and screw the Bracket to the body of the device.
Note: Don't warp the O-Ring.
- Fit the Ethernet cable through the Seal's slit with the thicker side towards the Bracket, and plug the seal to the Bracket.
Note: Choose the proper Seal according to the type and diameter of the Ethernet cable.
- Screw the Spiral Cover to the Bracket.

Power On

The EAP can be powered via the passive PoE adapter or a PSE device (such as a PoE switch) which complies with Power Source Class 2 (PS2) or Limited Power Source (LPS) of IEC 62368-1.

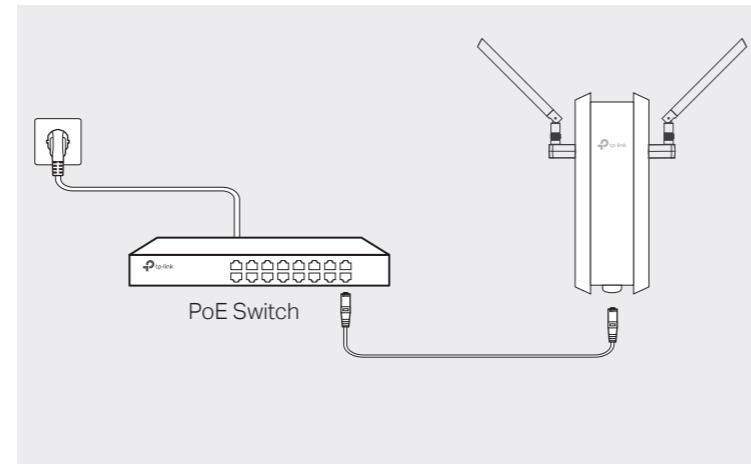
Option 1: Via Passive PoE Adapter

Connect the EAP to a Power over Ethernet (PoE) adapter as follows:
 Note: For PoE power supply specifications, refer to the product label.



Option 2: Via PoE Switch

Connect an Ethernet cable from the PoE switch to the Ethernet port.
 Note: For PoE power supply specifications, refer to the product label.

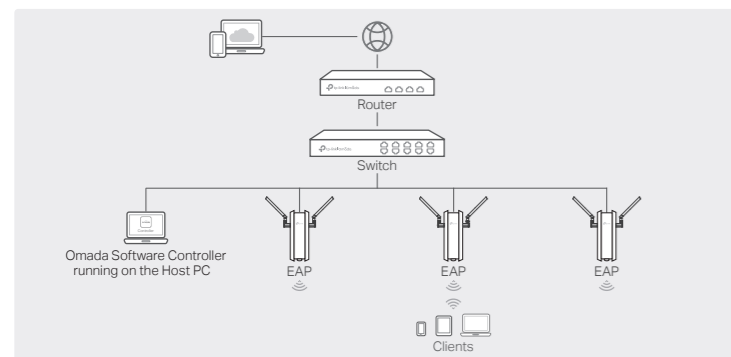


Method 2: Controller Mode

Choose from the following two types of Omada Controller:

• Type 1: Omada Software Controller

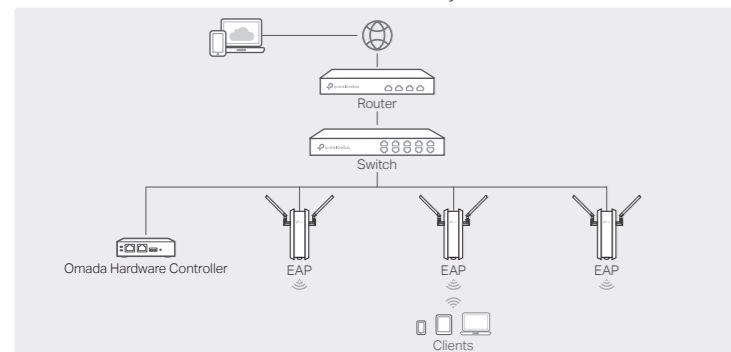
On a PC with Windows OS or Linux OS, download the Omada Software Controller from <https://www.tp-link.com/support/download/omada-software-controller/>. Then run the file and follow the wizard to install and launch the Omada Software Controller. To manage your devices, Omada Software Controller needs to keep running on your computer.



• Type 2: Omada Hardware Controller

Omada Hardware Controller is a good alternative if you have no spare PC to keep running Omada Software Controller in the network. It needs to be purchased additionally.

For more details, refer to the Installation Guide of your Hardware Controller.

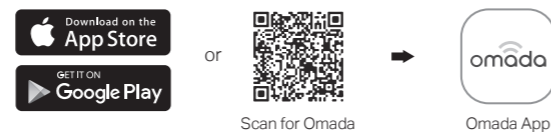


Note:

- Before you start, be sure to **power up** and **connect** your devices according to the topology figure.
- A **DHCP server** (typically a router with DHCP function enabled) is required to assign IP addresses to the EAPs and clients in your local network.
- Omada Controller must have network access to your Omada devices (the router, switch, and EAPs) in order to find, adopt, and manage them.

Via Omada App

1. Download and install the TP-Link Omada App from App Store or Google Play.



2. Launch your Omada App and configure the controller at a local site or remote site.

- Local Management
 - a. Connect your mobile device to the EAP by using the default SSID printed at the back of the product.
 - b. Launch Omada App and go to **Local Access**, tap the + button on the upper-right corner to add the controller. Then you can launch the controller to adopt and manage devices.
- Remote Management

Note: Before you start, make sure that both your controller and mobile device can access the internet.

 - * For Omada Software Controller
 - a. Make sure that **Cloud Access** is enabled on your controller and your controller has been bound with your TP-Link ID.
 - b. Launch Omada App and log in with your TP-Link ID. Then go to **Cloud Access**. A list of controllers that have been bound with your TP-Link ID will appear. Then you can further configure the controller.
 - * For Omada Hardware Controller
 - a. Make sure that **Cloud Access** is enabled on your controller. By default, **Cloud Access** is enabled. Make sure that the Cloud LED is flashing slowly.
 - b. Launch Omada App and log in with your TP-Link ID. Then go to **Cloud Access**. Tap the + button on the upper-right to add your controller. Then you can launch the controller to adopt and manage devices.

4 Software Configuration

Choose from the following methods to set up your EAPs:

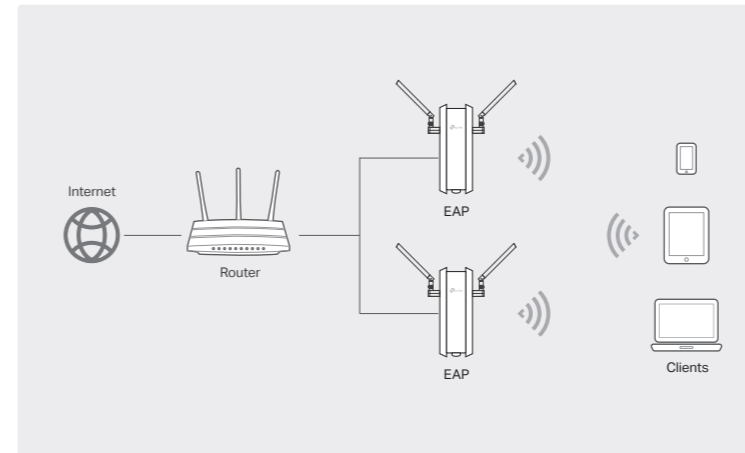
• Method 1: Standalone Mode

To configure and manage EAPs separately (Convenient for a small network with only a few devices)

• Method 2: Controller Mode

To configure and manage EAPs in batches on a central platform, namely Omada Controller.

Method 1: Standalone Mode



Note:

- Before you start, be sure to **power up** and **connect** your devices according to the topology figure.
- A **DHCP server** (typically a router with DHCP function enabled) is required to assign IP addresses to the EAPs and clients in your local network.

Via Web Browser

1. Open the Omada Controller's web page.
 - * For Omada Software Controller

Launch the Omada Software Controller on your PC. After the initiation process, the controller automatically opens its web page. If not, click **Launch a Browser to Manage the Network**.
 - * For Omada Hardware Controller

As Omada Hardware Controller gets its IP address from the DHCP server of the router, we don't know its IP address explicitly. However, we can find it out on the router's DHCP client list.

 - a. You need first find the IP address of the router. Open the command line on your PC and enter **ipconfig**. In the result list, find the **Default Gateway**, which is also the IP address of the router.
 - b. Launch a web browser and enter the IP address of the router. Log into the router's web page, and both the username and password are **admin** by default. Then go to **Network > LAN > DHCP Client List** to find the IP address of your controller according to its MAC address.
 - c. Enter the IP address of the your controller in the address bar to open its web page.
2. On the Omada Controller's web page, follow the wizard to complete the quick setup.
3. After the quick setup, the login page appears. Enter the username and password you have created to log in. Then you can launch the controller to adopt and manage devices.
4. (For Remote Management) You can remotely access and manage your controller via Omada Cloud Service.

Note: Before you start, make sure that both your controller and PC can access the internet.

 - * For Omada Software Controller
 - a. Make sure that **Cloud Access** is enabled on your controller and your controller has been bound with your TP-Link ID. On the Omada Controller's web page, go to **Settings > Cloud Access** to enable Cloud Access and bind your TP-Link ID. If you have set it up in the quick setup, skip this step.
 - b. Launch a web browser and enter <https://omada.tplinkcloud.com> in the address bar. Enter your TP-Link ID and password to log in. A list of controllers that have been bound with your TP-Link ID will appear. Then you can launch the controller to adopt and manage devices.
 - * For Omada Hardware Controller
 - a. Make sure that **Cloud Access** is enabled on your controller. By default, **Cloud Access** is enabled. Make sure that the Cloud LED is flashing slowly.
 - b. Launch a web browser and enter <https://omada.tplinkcloud.com> in the address bar. Enter your TP-Link ID and password to log in. Click + **Add Controller** and choose **Hardware Controller** to add your controller. Then you can launch the controller to adopt and manage devices.

Via Omada App

1. Download and install the TP-Link Omada App from App Store or Google Play.



2. Connect your mobile device to the EAP by using the default SSID printed at the back of the product.

3. Open the Omada App, go to the **Standalone Devices > APs** page, and wait for the EAP to appear. Tap on the EAP to configure it.

The Omada App is designed to help you quickly configure the common settings. If you want to configure advanced settings, use the web page of your EAP or use Controller Mode.

Via Web Browser

1. Connect your device to the EAP by using the default SSID printed at the back of the product.
2. Launch a web browser and enter <http://tplinkeap.net> in the address bar. Use **admin** for both Username and Password to log in.
3. Set up a new Username and Password for secure management purpose. Then you can configure the EAP.

To configure other EAPs, connect your device to the EAP by using the corresponding default SSIDs and repeat the steps above. You can configure some basic functions in Standalone Mode. If you want to configure advanced functions, use Controller Mode.

For detailed configurations, please visit <https://www.tp-link.com/support> to download the User Guide of EAP in the download center.

To ask questions, find answers, and communicate with TP-Link users or engineers, please visit <https://community.tp-link.com> to join TP-Link Community.

For technical support, the user guide and other information, please visit <https://www.tp-link.com/support>, or simply scan the QR code.



Attention: In EU member states, EFTA countries and Northern Ireland, the operation in the frequency range 5150MHz-5350MHz is only permitted indoors.

Attention: In Great Britain, the operation in the frequency range 5150MHz - 5350MHz is only permitted indoors.

For EAP Controller, go to **Access Point** page and select the desired EAP to specify the channel.

For web browser, go to **Wireless > Wireless Settings** to specify the channel.

!	AT	BE	BG	CH	CY	CZ	DE	DK
	EE	EL	ES	FI	FR	HR	HU	IE
	IS	IT	LI	LT	LU	LV	MT	NL
	NO	PL	PT	RO	SE	SI	SK	UK(NI)



Safety Information

- Keep the device away from fire or hot environments. DO NOT immerse in water or any other liquid.
- Do not attempt to disassemble, repair, or modify the device. If you need service, please contact us.
- Do not use the device where wireless devices are not allowed.
- Do not use any other chargers than those recommended.
- Do not use damaged charger or USB cable to charge the device.
- Adapter shall be installed near the equipment and shall be easily accessible.
- Adapter should be used indoors where the ambient temperature is lower than or equal to 40 °C.
- Plug the adapter into the wall outlets with earthing connection through the power supply cord.