

# RUTM11



## INDUSTRIAL 4G LTE ROUTER

The RUTM11 is an industrial LTE router from Teltonika, designed for applications that demand high data throughput and a robust network connection with zero tolerance for high latency and interruptions. The RUTM11 comes equipped with four Gigabit RJ45 ports, dual-band Wi-Fi, and dual SIM capabilities, enabling multiple failover scenarios. This router features LTE Cat 6, allowing it to achieve cellular speeds of up to 300 Mbps, which can be increased with carrier aggregation.



### CONNECTIVITY

Dual SIM, 4G LTE (Cat 6) with speeds of up to 300Mbps

### INTERFACES

4 x Gigabit RJ45 ports, USB, and up to 128 tag/port-based VLANs

### GNSS

Location services and time synchronisation for precise data reading

### WI-FI 5

Dual-band Wi-Fi with mesh and fast-roaming functionalities



# RMS COMPATIBLE WITH RUTM11

REMOTE MANAGEMENT SYSTEM

MANAGEMENT

ALERTS

CONFIGURATION

ACCESS

FOTA

# KEY FEATURES

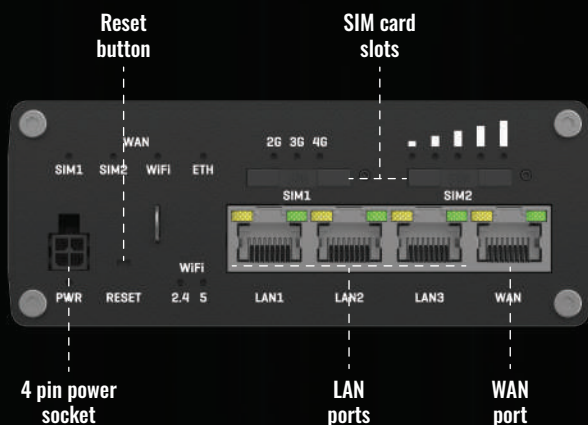
## HARDWARE

Mobile	4G (LTE) – Cat 6 up to 300 Mbps, 3G – Up to 42 Mbps
CPU	MediaTek, Dual-core, 880 MHz, MIPS1004KC
RAM	256 MB, DDR3
Storage	16MB serial NOR flash, 256MB serial NAND flash
Powering options	4-pin industrial DC power socket, 9 - 50 VDC
SIM	2 x SIM slots (Mini SIM - 2FF), 1.8 V/3 V, external SIM holders
Antenna connectors	2 x SMA for Mobile, 2 x RP-SMA for Wi-Fi, 1 x SMA for GNSS
Ethernet	4 x RJ45 ports, 10/100/1000 Mbps
Wi-Fi	802.11b/g/n/ac Wave 2 (Wi-Fi 5) with data transmission rates up to 867 Mbps (Dual Band, MU-MIMO)
GNSS	GPS, GLONASS, BeiDou, Galileo and QZSS
Inputs/Outputs	1 x Digital Input, 0 - 6 V detected as logic low, 8 - 50 V detected as logic high, 1 x Digital Output, Open collector output, max output 50 V, 300 mA
Grounding	1 x Grounding screw
Status LEDs	4 x WAN type LEDs, 2 x Mobile connection type, 5 x Mobile connection strength, 8 x LAN status, 1 x Power, 2 x 2.4G and 5G Wi-Fi
Operating temperature	-40 °C to 75 °C
Housing	Anodized aluminum housing and panels
Dimensions (W x H x D)	115 x 44.2 x 95.1 mm
Weight	460 g

## SOFTWARE

Operating system	RutOS (OpenWrt based Linux OS)
Mobile features	SIM switch, Status, SMS, USSD, Black/White list, Multiple PDN, Band management, SIM idle protection service, APN, Bridge, Passthrough
Network features	VoIP passthrough support, Connection monitoring, Firewall, Firewall status page, Ports management, Network topology, DHCP, QoS / Smart Queue Management (SQM), DDNS, Network backup, Load balancing, Hotspot, SSHFS, VRF support
Security	Authentication, Firewall, Attack prevention, VLAN, Mobile quota control, WEB filter, Access control
VPN and tunneling	OpenVPN, IPsec, GRE, PPTP, L2TP, Stunnel, DMVPN, SSTP, ZeroTier, WireGuard, Tinc, Tailscale
Monitoring and Management	WEB UI, FOTA, SSH, SMS, Call, Email, TR-069, MQTT, SNMP, JSON-RPC, RMS
Cloud solutions	RMS, Cloud of Things, ThingWorx, Cumulocity, Azure IoT Hub
Services	BacNET, OPC UA, MODBUS, Data to Server, Modbus MQTT GATEWAY, DNP3, DLMS
Location Tracking	GNSS, Coordinates, NMEA, NTRIP, Server software, Geofencing

### FRONT VIEW



### BACK VIEW

