

Smart Wire-Free Security Camera

Tapo C420



 Up to 180-Day Battery Life^Δ

Free Person/Pet/Vehicle Detection | Full-Color Night Vision | Local microSD Storage (Up to 512 GB)[†]

2K
QHD

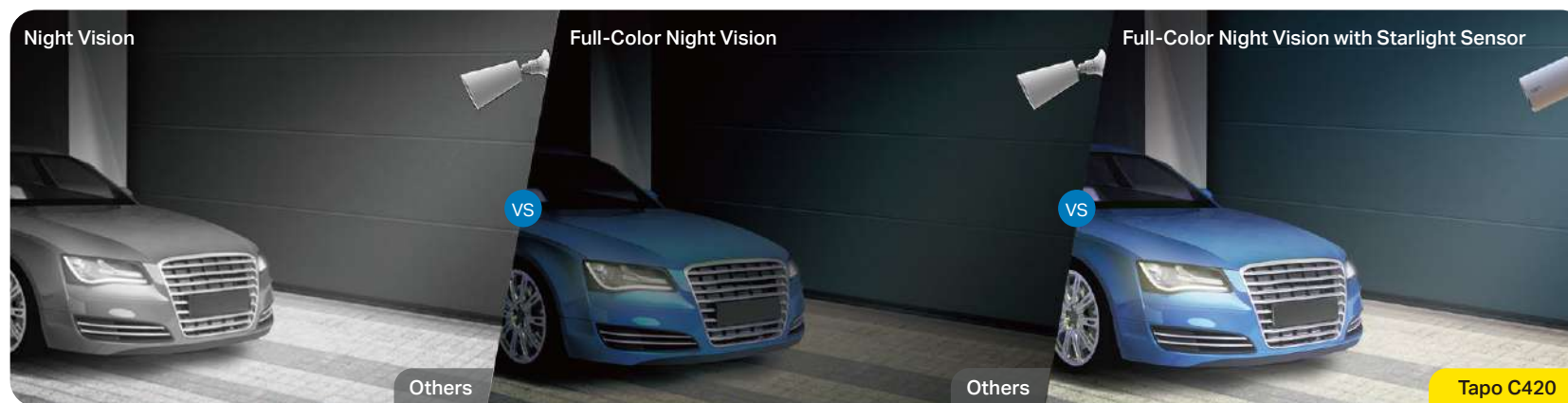
 Tapo H200 Hub Required and Purchased Separately



// Highlight

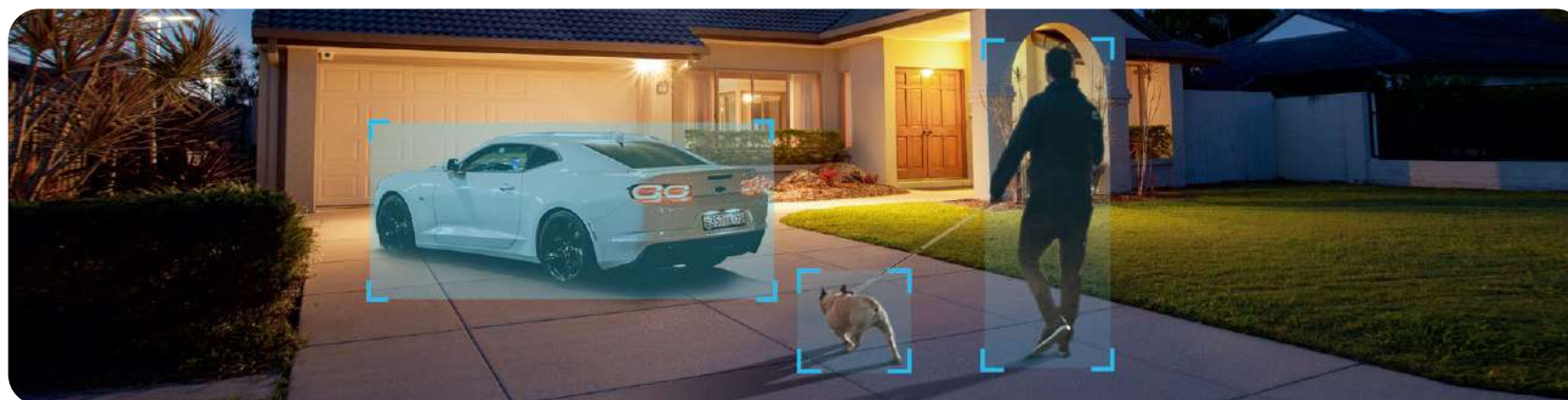
Enhanced Color Night Vision

Reveal high-fidelity details and color at night with the spotlights and starlight sensor.



Free Person/Pet/Vehicle Detection

Smart AI identifies people, pets, and vehicles, notifying users as needed.



// Features



2K QHD

Now with 1.7 times more pixels than 1080p, providing clearer videos and photos.



Color Night Vision

Reveal high-fidelity details and color at night with the starlight sensor.



180-Day Battery Life^Δ

The rechargeable and removable battery with a low-power protocol extends your usage.



Wire-Free Placement

No wires means you can place the cameras almost anywhere inside or outside – whatever works for you!



Sound and Light Alarm

Trigger sound and light as an alarm when motion is detected.



Two-Way Audio

Enables communication through a built-in microphone and speaker.



IP65 Weatherproof

Helps Tapo camera perform well even in harsh environments with rain and dust.



Flexible Storage Choices

Save recorded videos on the hub-installed microSD card[†] (up to 512 GB) or by using Tapo Care^{**} cloud storage services.

Note: The hub is not included.

// Specifications

Camera	Image Sensor	1/3" Progressive Scan CMOS Starlight Sensor
	Lens	Focal Length: 3.2 mm Aperture: F1.6 Field of View: 113° (Diagonal), 97° (Horizontal), 54° (Vertical)
	Night Vision	850 nm IR LED (49 ft / 15 m) Color Night Vision
	Night Mode	IR Mode / Full-Color Mode / Smart Mode
	Day/Night Switch	IR-Cut Filter with Auto-Switching
	Lighting	2× Built-in Spotlights
	Interface & Button	1× SYNC/RESET Button
	Hub Compatibility	Compatible with H200 (not included)
Video & Audio	Maximum Resolution	2K QHD 4MP (2560 × 1440 px)
	Frame Rate	15 fps/20 fps
	Digital Zoom	12×
	Video Compression	H.264
	Live View	Yes

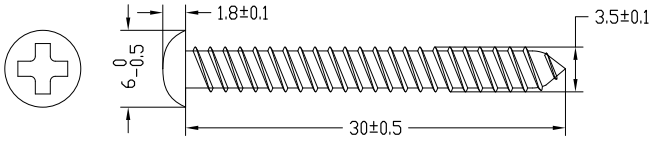
Video & Audio	Image Enhancement	3D DNR WDR
	Audio Input & Output	Built-in Microphone and Speaker
	Audio Communication	Two-Way Audio with Noise Cancellation
	Siren Volume	92 dB (Level measured at 4-inch/10-cm distance)
Storage	Local Storage	microSD Card Slot on Hub (Up to 512 GB) (Hub not included)
	Cloud Storage	Tapo Care Cloud Storage Services (Subscription required)
Detection & Notification	Sensor	Single Motion Sensor (FOV: 110° horizontal) Single Ambient Light Sensors
	Detection	Motion Detection Person Detection Pet Detection Vehicle Detection
	Activity Zones	Yes
	Output Notification	System Notification System Notification with Snapshot (Tapo Care Services) System Notification with Clips (Tapo Care Services)
Network	Network Connectivity	Connect via Wi-Fi or Ethernet
	Wireless Connectivity	IEEE 802.11b/g/n, 2.4 GHz Wi-Fi Sub-1G, 868MHz or 922MHz (Used for local connection between camera and hub) [#]

[#]Hub is not included.

Network	Transmission Rate	11b: 11 Mbps 11g: 54 Mbps 11n: 72.2 Mbps
	Protocol	TCP/IP, ICMP, DNS, HTTPS, TCP, UDP
	Max. Distance Between Hub and Camera[#]	524.93 ft / 160 m *
Security	Security	128-bit AES Encryption with SSL/TLS WPA/WPA2-PSK
Power	Power Source	Removable Rechargeable Lithium-ion Battery Optional Solar Panel: Tapo A200 (Sold separately)
	Input Voltage	Camera Battery Pack Adapter Input: 100-240 V, 50/60 Hz
	Output Voltage	Camera Battery Pack Adapter Output: 5.0 V, 1.0 A
	Power Cord Length	USB Adapter Cable Length: 1.64 ft / 0.5 m
	Typical Power Consumption	Camera Typical Power Consumption: 0.928 W
	Maximum Power Consumption	Camera Max Power Consumption: 2.39 W
General	Certifications	CE, FCC, RoHS, RCM
	Smart Integration	Google Assistant, Amazon Alexa
	Weather Resistance	IP65
	System Requirements	Tapo App: iOS 11.0 or higher, Android 5.0 or higher

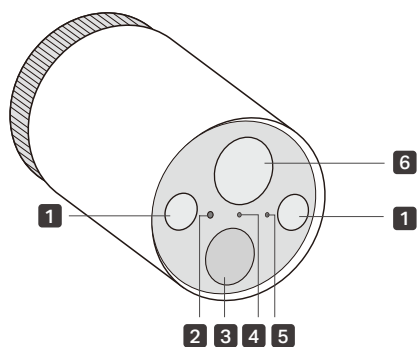
*Actual distance will vary based on many factors, such as the thickness of the walls, obstructions within the house, and the location of the router.

[#]Hub is not included.

General	Mounting Options	Tabletop Ceiling-Mounted Wall-Mounted
	Operating Temperature	-20°C ~ 45°C (-4 °F ~ 113 °F)
	Storage Temperature	-20°C ~ 60°C (-4 °F ~ 140 °F)
	Operating Humidity	10%~90% RH, Non-condensing
	Storage Humidity	5%~90% RH, Non-condensing
	Charging Temperature	0°C ~ 55°C (32 °F ~ 131 °F)
	Screw Size	
	Dimensions	4.35 × 2.52 × 2.52 in (110.6 × 64.2 × 64.2 mm)
	Weight	5.88 oz / 166.74 g
	Package Contents	Tapo C420 Camera ×1 Tapo A100 Battery ×1 USB Adapter ×1 USB Adapter Cable ×1 Mounting Anchors ×3 Mounting Screws ×3 Mounting Template ×1 Camera Bracket ×1 Quick Start Guide

// Appearance

Front



1 Spotlights

2 Light Sensor

3 Motion Sensor

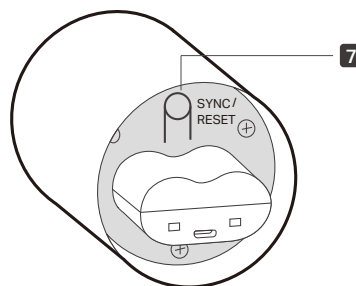
4 Status LED

Indicate the status of your camera.

5 Microphone

6 Lens

Back



7 SYNC/RESET Button

While the camera is powered on:

Press for 1 second: Pair with the hub

Press and hold for about 5 seconds: Reset the camera

⁴180-day battery life is based on TP-Link's laboratory testing with 10-20 triggered events per day. Actual battery life may vary based on device settings, use, and environmental factors.

¹Local storage requires a microSD card and Tapo H200 hub. Both purchased separately.

^{**}Tapo Care needs to be subscribed separately.

Specifications are subject to change without notice. All brands and product names are trademarks or registered trademarks of their respective holders.

©2024 TP-Link