



# User Guide

## Tapo Solar Panel

# Contents

|  |    |
|--|----|
| About This Guide .....                         | 1  |
| Introduction .....                             | 2  |
| Mounting Tips .....                            | 3  |
| Scce 1. Mount Solar Panel Only .....           | 4  |
| Scce 2. Mount Solar Panel & Extra Camera ..... | 6  |
| Scce 3. Mount Solar Panel and Camera KIT ..... | 8  |
| Connect Solar Panel to Camera .....            | 10 |
| Authentication .....                           | 12 |

# About This Guide

This guide provides a brief introduction to the Tapo Solar Panel as well as regulatory information.

Please note that features available in Tapo may vary by model and software version. Tapo availability may also vary by region. All images, steps, and descriptions in this guide are only examples and may not reflect your actual Tapo experience.

## Conventions

In this guide, the following convention is used:

| Convention       | Description  |
|------------------|--|
| Blue             | Key information appears in blue, including management page text such as menus, items, buttons and so on. |
| <u>Underline</u> | Hyperlinks are in blue and underlined. You can click to redirect to a website.                           |
| 📌 Note:          | Ignoring this type of note might result in a malfunction or damage to the device.                        |

## More Info

- Specifications can be found on the product page at <https://www.tapo.com>.
- Our Technical Support and troubleshooting information can be found at <https://www.tapo.com/support/>.
- Mounting and connection videos can be found at <https://www.tp-link.com/support/setup-video/#cloud-cameras>.

# Introduction

Tapo A201 seamlessly pairs with all Tapo Battery Cameras<sup>§</sup>, offering a sleek, unified look and flexible positioning with a 4m charging cable for maximum sunlight exposure. Enjoy green, endless power.



## Flexible Angle Adjustment

Mount your solar panel on the wall or roof and adjust its angle flexibly to capture enough sunlight with an angle-adjustable bracket.



## High-Efficiency Solar Charging

Daily 45 minutes<sup>^</sup> of direct sunlight charges any Tapo Battery Camera for all-day use, thanks to its 2.5W<sup>†</sup> maximum charging power.



## IP65 Weatherproof

Offers reliable performance and keeps your battery camera charged even in harsh environments with rain and dust.



<sup>§</sup>A solar panel can only connect to one camera at a time. The Tapo Solar Panel is compatible with all Tapo Battery Security Cameras. Due to Tapo C425's unique magnetic base, it exclusively supports detached installation. Visit the Tapo website for all supported products.

<sup>†</sup>Actual charging power may vary based on installation location, weather conditions, temperature, and other environmental factors.

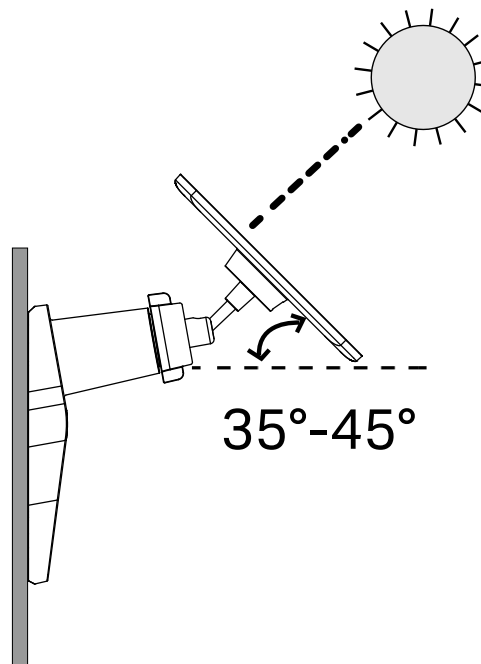
<sup>^</sup>45 min of sunlight time is based on standard environmental conditions (1000W/m<sup>2</sup>, 25°C, AM1.5) and specified working scenes (100 events triggered per day). Actual required time of sunlight may vary.

# Mounting Tips

Read mounting tips before you mount the solar panel.

The solar panel captures free, clean solar energy and provides non-stop power supply for your Tapo cameras. The position and tilt angle of the solar panel greatly affects the solar efficiency.

1. Choose a location where the solar panel gets the most sunlight throughout the year.
2. Position the panel south-facing in the Northern Hemisphere or north-facing in the Southern Hemisphere. The recommended tilt angle between the panel and the horizontal ground is  $35^{\circ} \sim 45^{\circ}$ .
3. Regularly wipe the panel to remove dust and debris.



# Sc 1. Mount Solar Panel Only

For the mounting video, please refer to <https://www.tp-link.com/support/setup-video/#cloud-cameras>



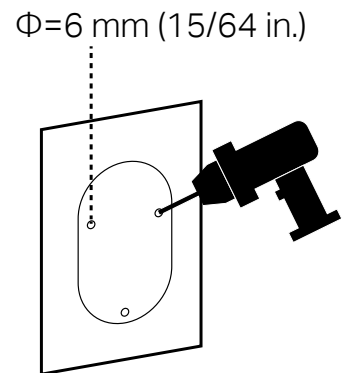
Wall Anchors ×3 + Self-tapping Screws ×3



Screw Caps ×2

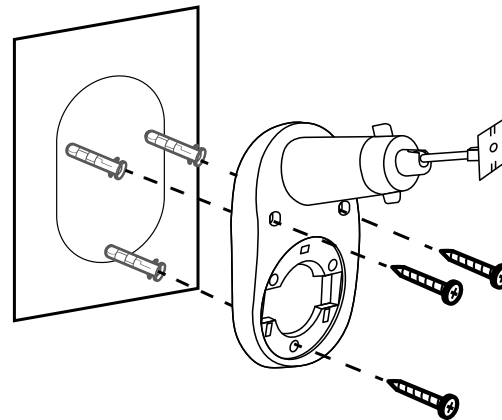
## 1. Drill Holes

Stick the mounting template to a solid and level wall surface. Drill three screw holes according to the template.



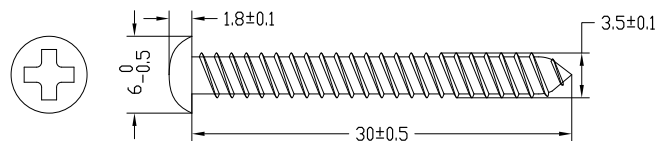
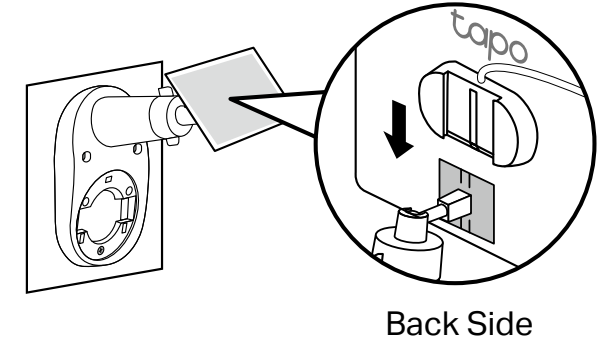
## 2. Mount Bracket

Insert three wall anchors into the holes and use the mounting screws to affix the solar panel bracket over the anchors.



## 3. Install the Solar Panel

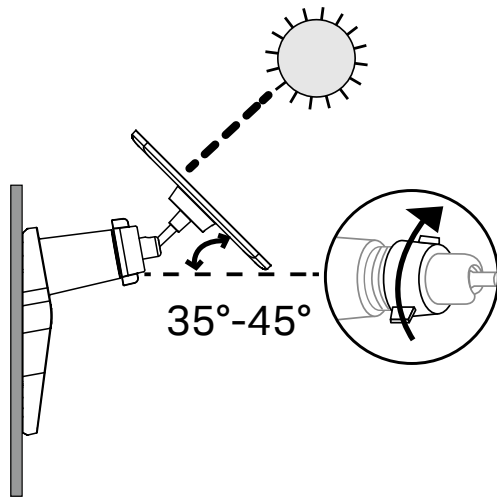
Slide the solar panel onto the mounting bracket until it clicks into place.



#### 4. Adjust Solar Panel Angle

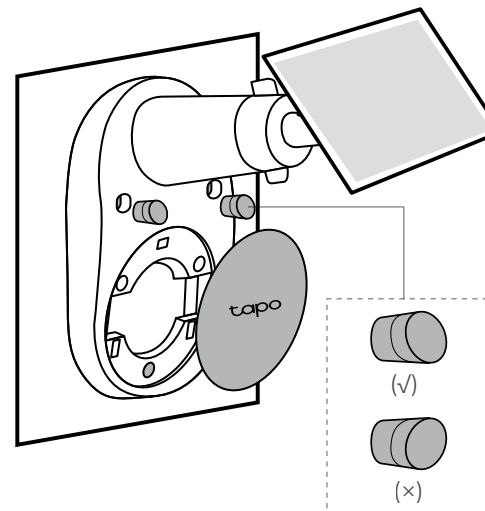
Loosen the adjustable screw, tilt the solar panel to adjust the angle, and then tighten the adjustable screw.

The recommended tilt angle between the panel and the horizontal ground is  $35^{\circ} \sim 45^{\circ}$ .



#### 5. Install Screw Caps & Base Cover

Insert two screw caps into the screw holes until flush, then install the base cover.



# Sc 2. Mount Solar Panel & Extra Camera

For the mounting video, please refer to <https://www.tp-link.com/support/setup-video/#cloud-cameras>



Wall Anchors ×3 + Self-tapping Screws ×3



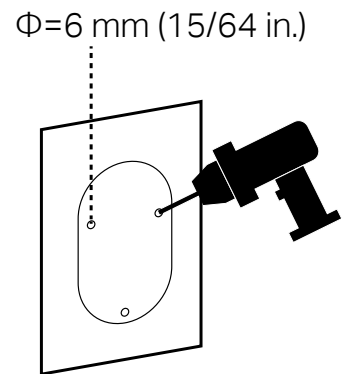
Camera Bracket Screws ×2



Screw Caps ×2

## 1. Drill Holes

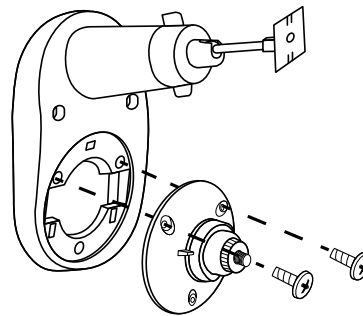
Stick the mounting template to a solid and level wall surface. Drill three screw holes according to the template.



## 2. Install Camera Bracket

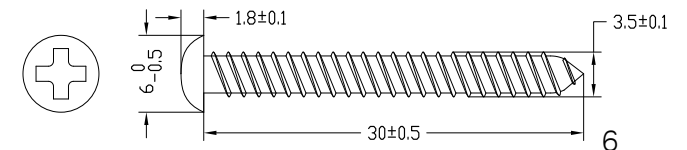
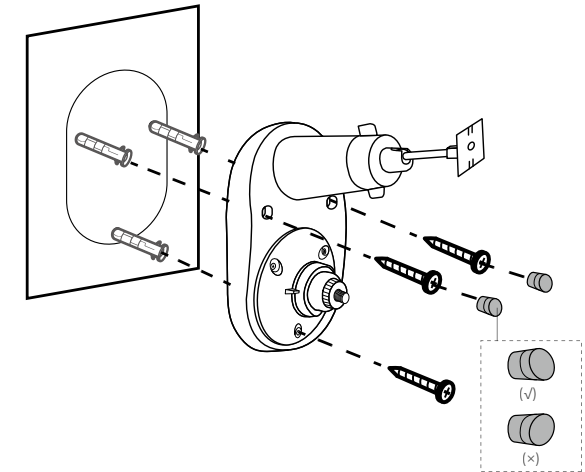
Secure the camera bracket to the solar panel bracket using two screws.

The third hole below is for securing the solar panel bracket.



## 3. Mount Bracket

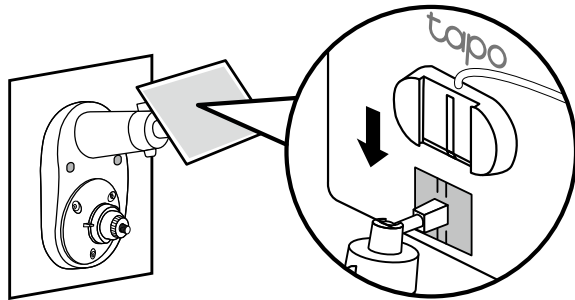
Insert three wall anchors into the holes and use the mounting screws to affix the solar panel bracket over the anchors. Then, insert two screw caps into the upper screw holes.





#### 4. Install the Solar Panel

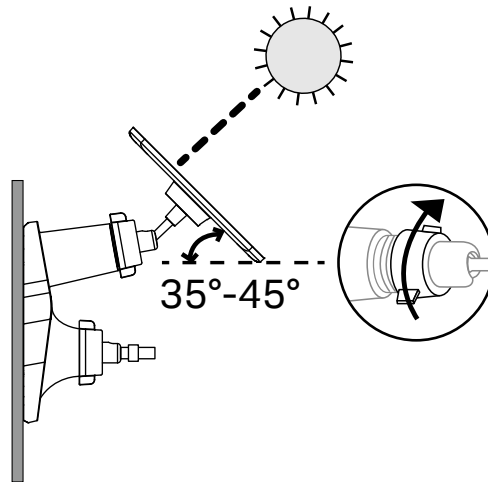
Slide the solar panel onto the mounting bracket until it clicks into place.



#### 5. Adjust Solar Panel Angle

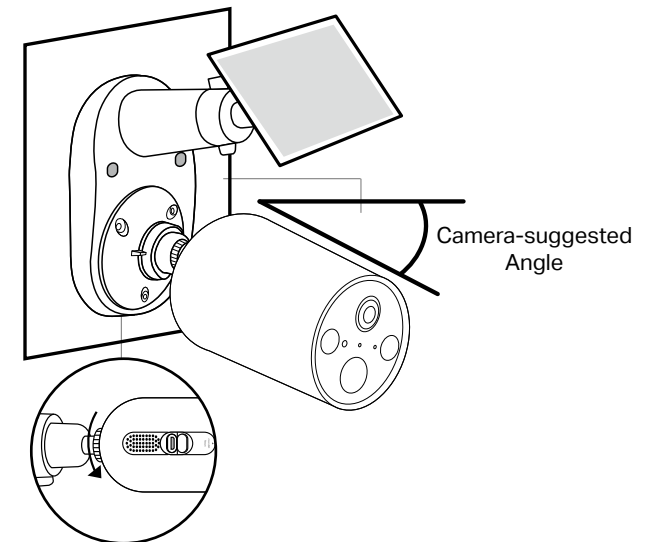
Loosen the adjustable screw, tilt the solar panel to adjust the angle, and then tighten the adjustable screw.

The recommended tilt angle between the panel and the horizontal ground is 35° ~ 45°.



#### 6. Install Camera & Adjust Angle

Install the camera onto the bracket and adjust the camera angle as per the camera's guide.

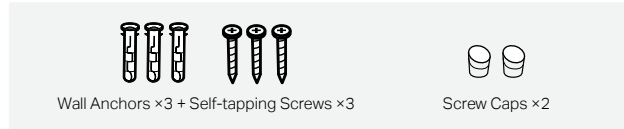
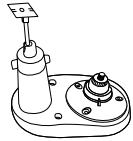


\*Here we take the Tapo Camera C410 as an example.

Ensure the camera is securely attached to the camera bracket by tightening the bottom screw.

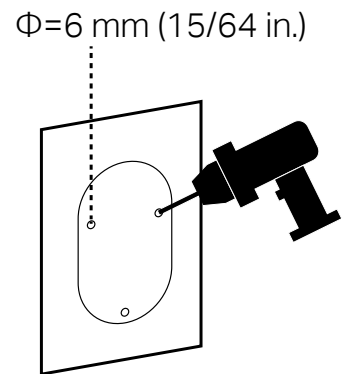
# Sc 3. Mount Solar Panel and Camera KIT

For the mounting video, please refer to <https://www.tp-link.com/support/setup-video/#cloud-cameras>



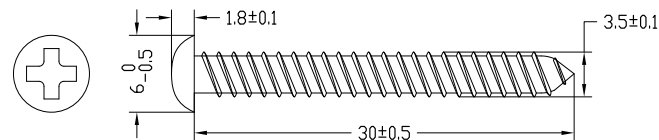
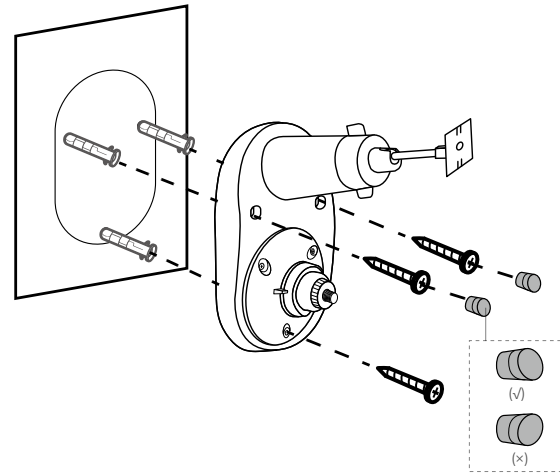
## 1. Drill Holes

Stick the mounting template to a solid and level wall surface. Drill three screw holes according to the template.



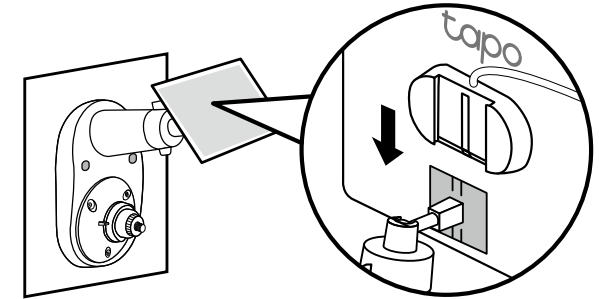
## 2. Mount Bracket

Insert three wall anchors into the holes and use the mounting screws to affix the solar panel bracket over the anchors. Then, insert two screw caps into the upper screw holes.



## 3. Install the Solar Panel

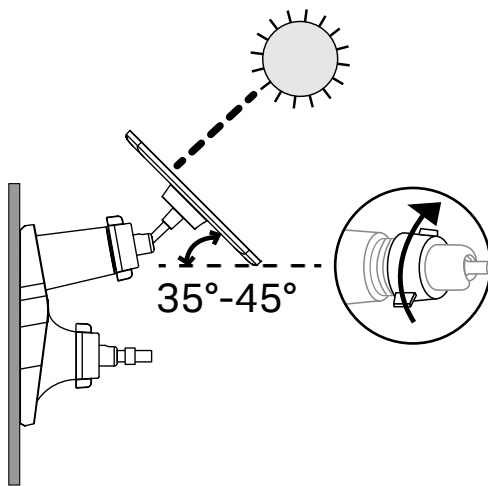
Slide the solar panel onto the mounting bracket until it clicks into place.



#### 4. Adjust Solar Panel Angle

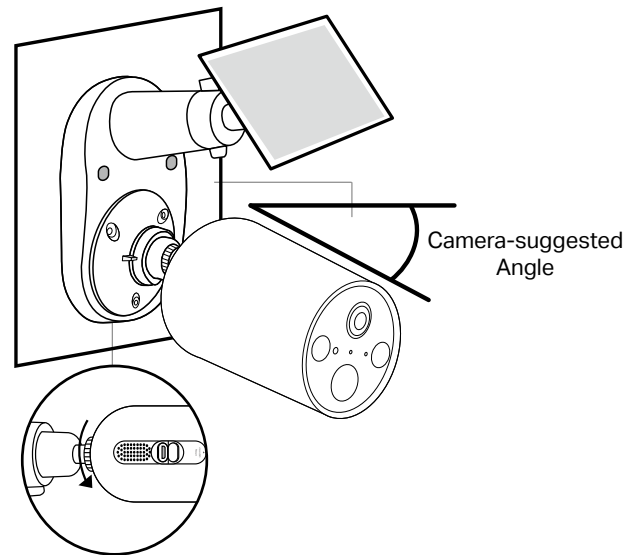
Loosen the adjustable screw, tilt the solar panel to adjust the angle, and then tighten the adjustable screw.

The recommended tilt angle between the panel and the horizontal ground is  $35^{\circ} \sim 45^{\circ}$ .



#### 5. Install Camera & Adjust Angle

Install the camera onto the bracket and adjust the camera angle as per the camera's guide.



\*Here we take the Tapo Camera C410 as an example.

Ensure the camera is securely attached to the camera bracket by tightening the bottom screw.

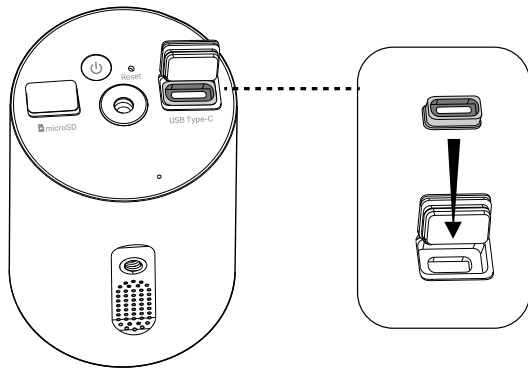
# Connect Solar Panel to Camera

Use the appropriate waterproof gasket when connecting the solar panel to your camera. The gasket protects your camera from exposed moisture and dust that may damage the camera.

For detailed connection instructions, please refer to <https://www.tp-link.com/support/faq/3800/>

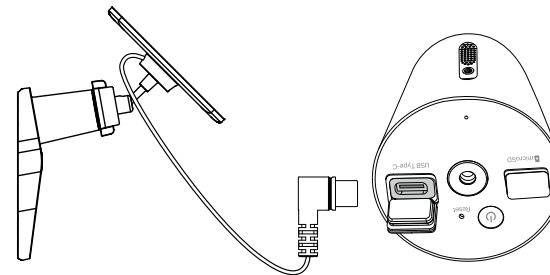
## 1. Install Waterproof Gasket

Insert the waterproof gasket into the camera's charging port. Ensure that the gasket is tightly sealed.



## 2. Power On Camera

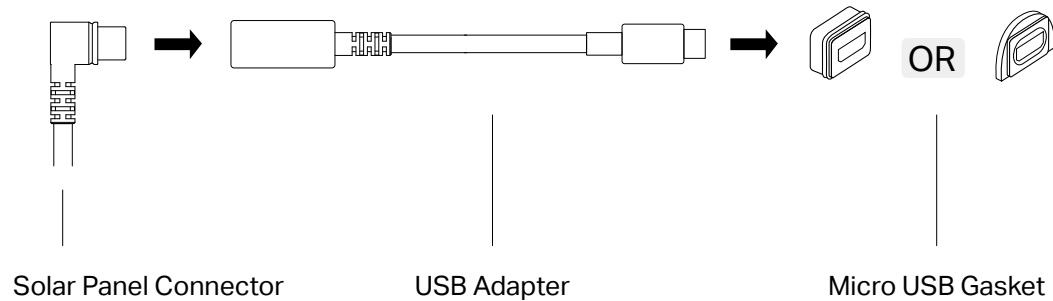
Connect the solar panel by inserting the connector with the black ring into the charging port until snug.



\*Here we take the Tapo Camera C410 as an example.

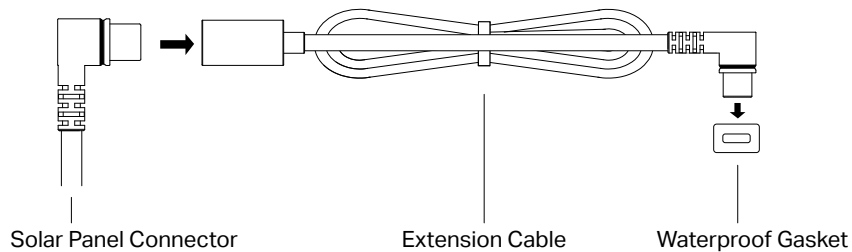
## USB Adapter for Micro USB charging port

A USB adapter is required for a camera with a Micro USB charging port. Choose the appropriate Micro USB waterproof gasket for connection.



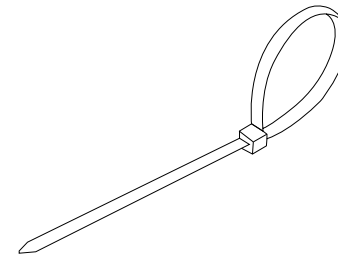
## If the power cable is too short...

Extend the power cable using the provided extension cable. Insert the connector with the black ring into the extension until snug and use the appropriate gasket when connecting the solar panel to your camera.



## If the power cable is too long...

Use the cable zip tie provided to bundle up the excess cable. Once tightened, the zip tie cannot be easily adjusted. To release the tie, you will need to cut the zip tie.



# Authentication

## FCC compliance information statement



**Product Name: Tapo Solar Panel**

**Model Number: Tapo A201**

**Responsible Party:**

**TP-Link USA Corporation**

Address: 10 Mauchly, Irvine, CA 92618

Website: <http://www.tp-link.com/us/>

Tel: +1 626 333 0234

Fax: +1 909 527 6804

E-mail: [sales.usa@tp-link.com](mailto:sales.usa@tp-link.com)

This equipment has been tested and found to comply with the limits for a Class B digital device, pursuant to part 15 of the FCC Rules. These limits are designed to provide reasonable protection against harmful interference in a residential installation. This equipment generates, uses and can radiate radio frequency energy and, if not installed and used in accordance with the instructions, may cause harmful interference to radio communications. However, there is no guarantee that interference will not occur in a particular installation. If this equipment does cause harmful interference to radio or television reception, which can be determined by turning the equipment off and on, the user is encouraged to try to correct the interference by one or more of the following measures:

- Reorient or relocate the receiving antenna.
- Increase the separation between the equipment and receiver.
- Connect the equipment into an outlet on a circuit different from that to which the receiver is connected.
- Consult the dealer or an experienced radio/ TV technician for help.

This device complies with part 15 of the FCC Rules. Operation is subject to the following two conditions:

1. This device may not cause harmful interference.
2. This device must accept any interference received, including interference that may cause undesired operation.

Any changes or modifications not expressly approved by the party responsible for compliance could void the user's authority to operate the equipment.

We, **TP-Link USA Corporation**, has determined that the equipment shown as above has been shown to comply with the applicable technical standards, FCC part 15. There is no unauthorized change is made in the equipment and the equipment is properly maintained and operated.

**Issue Date:** 2024-05-10

## CE Mark Warning



This is a class B product. In a domestic environment, this product may cause radio interference, in which case the user may be required to take adequate measures.

## EU Declaration of Conformity

TP-Link hereby declares that the device is in compliance with the essential requirements and other relevant provisions of directives 2014/30/EU, 2014/35/EU, 2011/65/EU and (EU)2015/863.

The original EU declaration of conformity may be found at <https://www.tapo.com/support/ce/>

## UKCA Mark



## UK Declaration of Conformity

TP-Link hereby declares that the device is in compliance with the essential requirements and other relevant provisions of the Electromagnetic Compatibility Regulations 2016 and Electrical Equipment (Safety) Regulations 2016.

The original UK declaration of conformity may be found at <https://www.tapo.com/support/ukca/>

## Canadian Compliance Statement

This device contains licence-exempt transmitter(s)/receiver(s) that comply with Innovation, Science and Economic Development Canada's licence-exempt RSS(s). Operation is subject to the following two conditions:

1. This device may not cause interference.
2. This device must accept any interference, including interference that may cause undesired operation of the device.

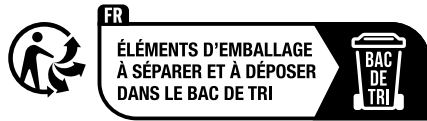
L'émetteur/récepteur exempt de licence contenu dans le présent appareil est conforme aux CNR d'Innovation, Sciences et Développement économique Canada applicables aux appareils radio exempts de licence. L'exploitation est autorisée aux deux conditions suivantes :

1. l'appareil ne doit pas produire de brouillage;
2. l'utilisateur de l'appareil doit accepter tout brouillage radioélectrique subi, même si le brouillage est susceptible d'en compromettre le fonctionnement



## Industry Canada Statement

CAN ICES-3 (B)/NMB-3(B)



## Korea Warning Statements:

당해 무선설비는 운용중 전파혼신 가능성이 있음.



Продукт сертифіковано згідно с правилами системи УкрСЕПРО на відповідність вимогам нормативних документів та вимогам, що передбачені чинними законодавчими актами України.















## Safety Information












- Keep the device away from fire or hot environments. DO NOT immerse in water or any other liquid.
- Do not attempt to disassemble, repair, or modify the device. If you need service, please contact us.
- Avoid scratching and hitting the surface of the solar panel during use.
- Avoid contact with highly corrosive substances during use.
- The suitable temperature for Tapo A201 and accessories is -20°C~45°C. The working temperature range for battery charging should be maintained at 0°C~45°C.
- Make sure the USB connector is fully plugged into your Tapo device.
- Make sure you follow the user manual to install the solar panel correctly.
- Make sure the waterproof gasket and other accessories can protect the connectors on your Tapo device.

## Explanation of the symbols on the product label

Note: Symbols may vary from products.

| Symbol  | Explanation                                 |
|---|---|
|    | Class II equipment                          |
|    | Class II equipment with functional earthing |
|    | Alternating current                         |
|    | DC voltage                                  |
|    | Polarity of output terminals                |
|    | Indoor use only                             |
|    | Dangerous voltage                           |
|    | Caution, risk of electric shock             |
|  | Energy efficiency Marking                   |
|  | Protective earth                            |
|  | Earth                                       |
|  | Frame or chassis                            |

• Please read and follow the above safety information when operating the device. We cannot guarantee that no accidents or damage will occur due to improper use of the device. Please use this product with care and operate at your own risk.

| Symbol  | Explanation  |
|---|--|
|    | Functional earthing  |
|    | Caution, hot surface   |
|    | Caution  |
|    | Operator's manual  |
|    | Stand-by   |
|    | "ON"/"OFF" (push-push)   |
|    | Fuse   |
|    | Fuse is used in neutral N  |
|  | <p>RECYCLING</p> <p>This product bears the selective sorting symbol for Waste electrical and electronic equipment (WEEE). This means that this product must be handled pursuant to European directive 2012/19/EU in order to be recycled or dismantled to minimize its impact on the environment.</p> <p>User has the choice to give his product to a competent recycling organization or to the retailer when he buys a new electrical or electronic equipment.</p> |
|  | Caution, avoid listening at high volume levels for long periods  |
|  | Disconnection, all power plugs   |

| <b>Symbol</b> | <b>Explanation</b>   |
|---------------|--|
| m             | Switch of mini-gap construction  |
| μ             | Switch of micro-gap construction (for US version)<br>Switch of micro-gap / micro-disconnection construction (for other versions except US) |
| ε             | Switch without contact gap (Semiconductor switching device)  |