

Outdoor Pan/Tilt Security Wi-Fi Camera

1080p
Full HD

TC40

 Color Night Vision

360° Visual Coverage | Smart Motion Tracking | Free Person Detection



works with alexa

works with Google Home

// Highlights

Smart Motion Tracking

Tracks and follows a subject smartly, keeping it within the camera's field of view.



// Features



1080p Full HD Live View

Reveals sharp images and vivid details.



Patrol Mode

Keep the camera cruise between two customized points for dynamic monitoring.



Activity Zones

Notifies you when activity is detected in specific zones.



Local[†] and Cloud[‡] Storage

Save recorded video on a microSD card (up to 512 GB)[†] without monthly fees, or by using Tapo Care[‡] cloud storage services.



Multiple Installation Options

Use the mounting screws, template and loops* to install on any wall, ceiling or pole for the perfect view.



Person Detection

Notifies you when a person is detected.



Color Night Vision

Enhances your security by revealing vivid colors with built-in spotlights.



Customizable Sound Alarm

Record your own audio as an alarm to extend your usage.



IP65 Weatherproof

Offers excellent waterproof and dustproof performance for outdoor scenarios.

[†]microSD card purchased separately. Actual storage capacity depends on the size of the microSD card used.

[‡]Subscribe for cloud storage at <https://www.tapo.com/tapocare/>

[‡]Compatible with Alexa and Google Assistant supported displays. User experience is dependent on the connected device's specifications.

*Mounting loops purchased separately.

For more information, please visit <https://www.tapo.com/>

All brands and product names are trademarks or registered trademarks of their respective holders. Specifications are subject to change without notice.

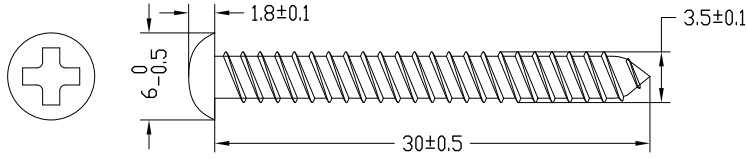
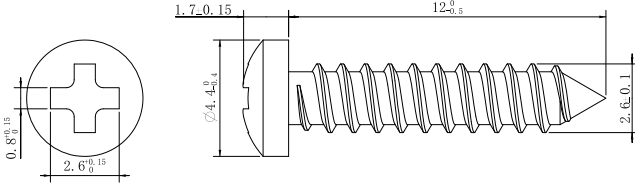
©2024 TP-Link

// Specifications

Camera	Image Sensor	1/3" Progressive Scan CMOS Sensor
	Lens	Focal Length: 3.99 mm±5% Aperture: F2.2±10% Field of View: 85.5° (Diagonal), 73.5° (Horizontal), 41° (Vertical)
	Night Vision	850 nm IR LED (98 ft / 29.9 m) Color Night Vision
	Day/Night Switch	IR-Cut Filter with Auto-Switching
	Lighting	/
	Interface & Button	1× RESET Button 1× microSD Card Slot (Up to 512 GB)
	Hub Compatibility	/
Video & Audio	Maximum Resolution	1920 x 1080 px
	Frame Rate	30 fps
	Digital Zoom	None
	Video Compression	H.264
	Live View	Yes

Video & Audio	Image Enhancement	3DNR WDR
	Audio Input & Output	Built-in Microphone and Speaker
	Audio Communication	Two-Way Audio with Noise Cancellation
	Siren Volume	90 dB (Level measured at 4-inch/10-cm distance)
Storage	Local Storage	microSD Card Slot on Camera (Up to 512 GB)
	Cloud Storage	Tapo Care Cloud Storage Services (Subscription required)
Detection & Notification	Sensor	/
	AI Detection	Motion Detection Person Detection Camera Tampering
	Activity Zones	Yes *Only works with Motion Detection.
	Output Notification	System Notification System Notification with Snapshot (Tapo Care Services)
Network	Network Connectivity	Connect via Wi-Fi
	Wireless Connectivity	IEEE 802.11b/g/n, 2.4 GHz Wi-Fi
	Transmission Rate	11b: 11 Mbps 11g: 54 Mbps 11n: 72.2 Mbps
	Protocol	TCP/IP, DHCP, ICMP, DNS, NTP, HTTPS, TCP, UDP

Network	Max. Distance Between Hub and Camera/Doorbell	/
	Ethernet Port	/
	RTSP	Yes
	ONVIF	Yes
Security	Security	On-Device Machine Learning 128-bit AES Encryption with SSL/TLS WPA/WPA2-PSK/WPA3
Power	Power Source	9 V DC Power Adapter
	Input Voltage	100-240 V, 50/60 Hz
	Output Voltage	9 V, 0.85 A (DC Power)
	DC Power Connector Size	Inside Ø: 2.1 mm Outside Ø: 5.5 mm
	Power Cord Length	3 m* *Power cord length may vary from region.
	Typical Power Consumption	2.3 W
	Maximum Power Consumption	7.2 W
General	Certifications	CE, RoHS, RCM, WWA, NTRA
	Smart Integration	Google Assistant, Amazon Alexa
	Weather Resistance	IP65

General	Mounting Options	Ceiling-Mounted Wall-Mounted Pole-Mounted (Pole-Mounting loops required but not included)
	Operating Temperature	-30 °C ~ 60 °C (-22 °F ~ 140 °F)
	Storage Temperature	-40 °C ~ 60 °C (-40 °F ~ 140 °F)
	Operating Humidity	10% ~ 90% RH, Non-condensing
	Storage Humidity	0 ~ 90% RH, Non-condensing
	Charging Temperature	\
	Mounting Screw Size	
	Bracket Screw Size	
	Dimensions	4.9 × 4.8 × 3.5 in (123.8 × 123 × 90 mm)
Weight	12.8 oz / 364 g	

General	Package Contents	TC40 Camera Power Adapter Mounting Anchors Mounting Screws Bracket Screws Mounting Template Mounting Bracket Waterproof Seal Quick Start Guide
----------------	------------------	--